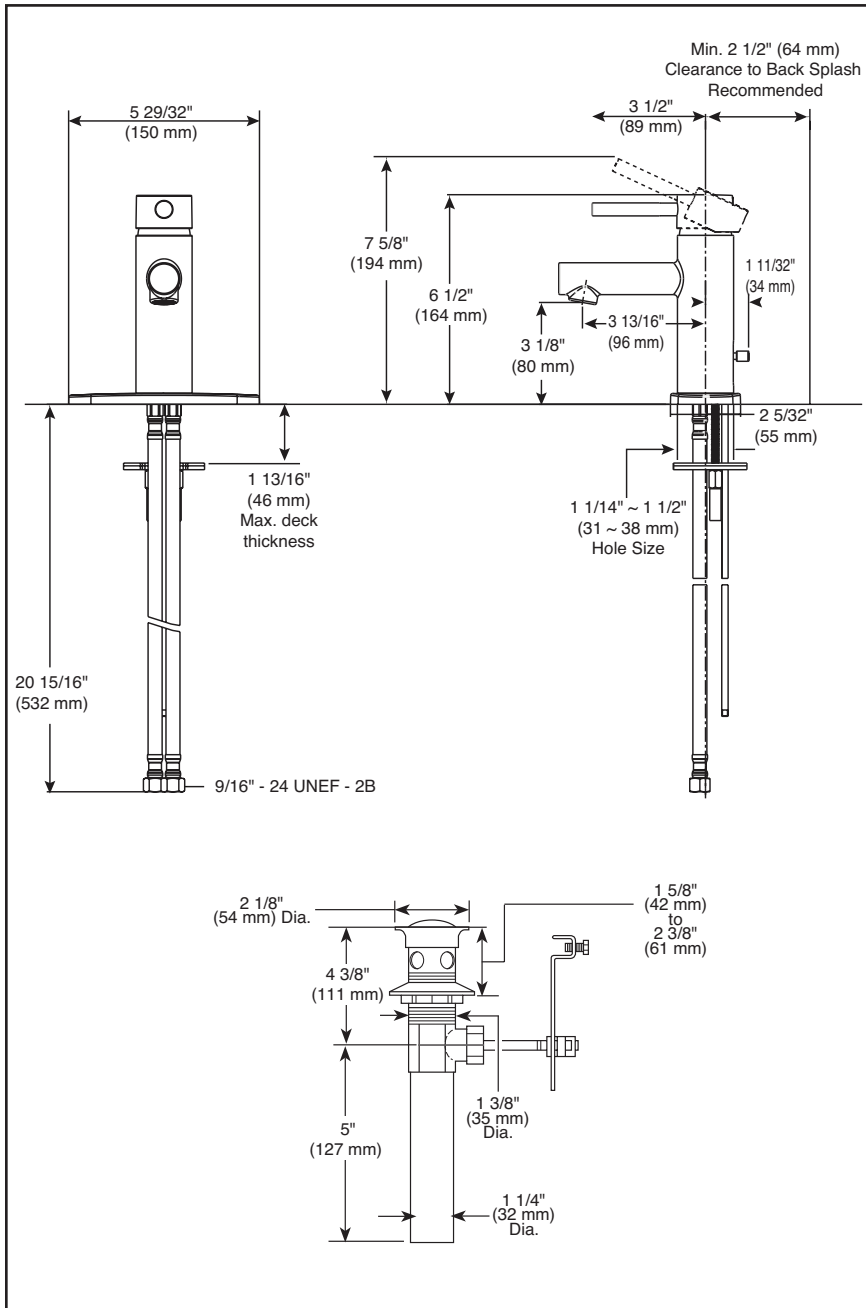


Submitted Model No.: _____
 Specific Features: _____



▲ Designate proper finish suffix

Delta reserves the right (1) to make changes in specifications and materials, and (2) to change or discontinue models, both without notice or obligation. Dimensions are for reference only. See current full-line price book or www.specselect.com for finish options and product availability.

DSP-L-691LF



LAVATORY FAUCETS

- Tommy Collection – Straight Spout
- Single Handle Deck Mount
- 1 or 3 Hole Sink Applications

STANDARD SPECIFICATIONS:

- Single handle lavatory faucet.
- Ceramic cartridge with high temperature rotational limit stop.
- 1 or 3 hole installation (Optional escutcheon included).
- 3 13/16" (96 mm) long reach on spout.
- Maximum 1 13/16" (46 mm) deck thickness.
- Models have 50/50 drain with pop-up type fitting with plated flange and stopper.
- Handle: 3 1/2" (89 mm) lever handle – ADA compliant – colour indexed.
- Maximum flow rate: 1.5 gpm @ 60 psi, 5.7 L/min @ 414 kPa.

WARRANTY

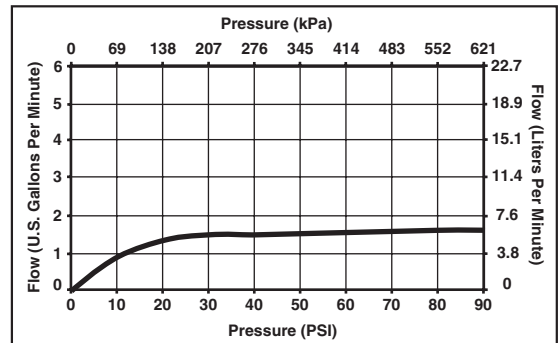
- Lifetime Faucet and Finish Limited Warranty to the original consumer purchaser to be free from defects in material and workmanship.
- 5 Year Limited Warranty for usage in all industrial, commercial and business applications.



COMPLIES WITH:

- ASME A1 12.18.1 / CSA B125.1
- ASME A1 12.18.2 / CSA B125.2
- Indicates ADA compliance to ICC/ANSI A117.1

- EPA WaterSense® – 691LF▲ only
- Verified compliant with 0.25% weighted average Pb content regulations.



55 E. 111th Street, Indianapolis, Indiana 46280
 350 South Edgeware Road, St. Thomas, ON N5P 4L1
 © 2014 Masco Corporation of Indiana