
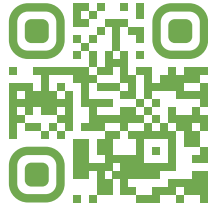




Location:



6705-TRM, 6705TRMTC
Shower/Hand Shower Trim
Specification Submittal

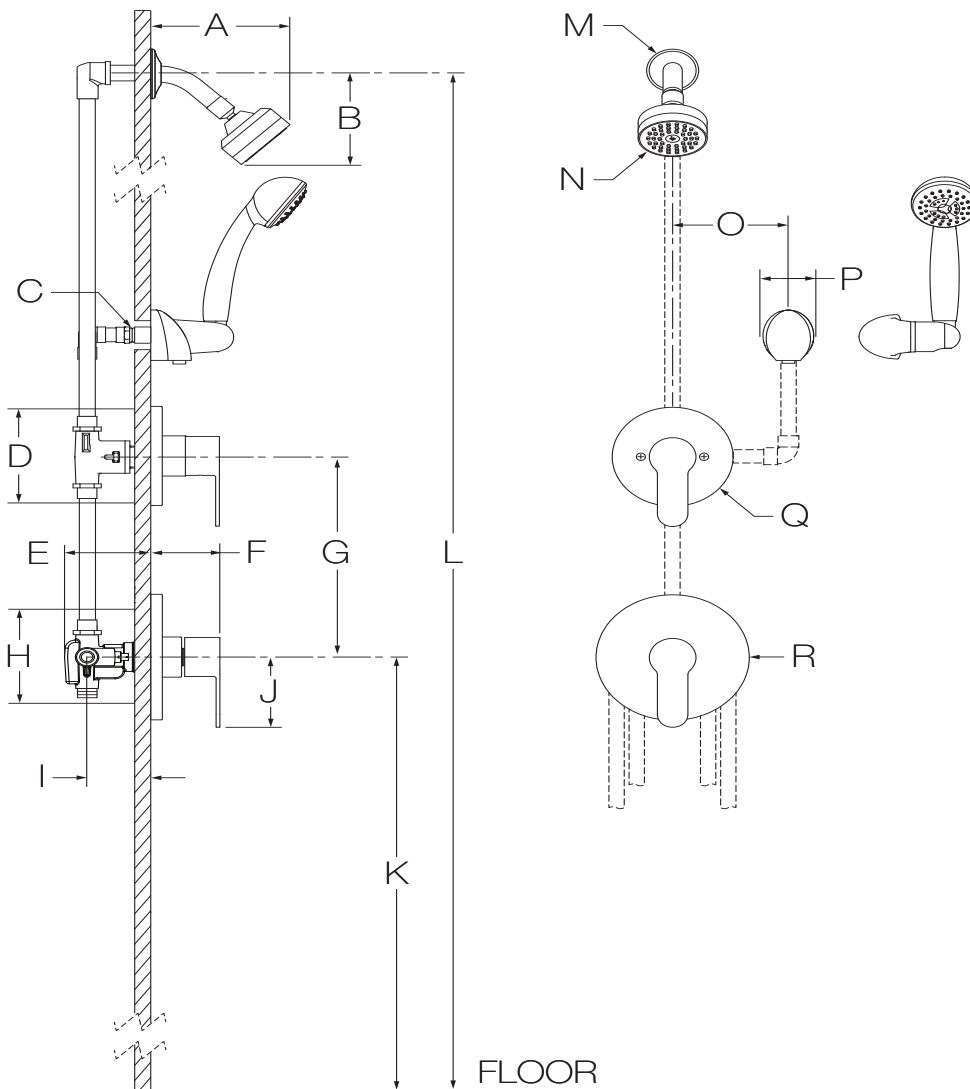
Feature Highlights	Options/Modifications
<ul style="list-style-type: none"> Identity Shower/Hand Shower Trim Requires Temptrol® Pressure Balancing Shower Valve Requires Symmons Dual Outlet Diverter Valve Metal lever handles Cradle for hand shower wand Dual checks for backflow protection 60" flexible metal hose 1 mode hand shower wand with easy to clean nozzles 1 mode showerhead with easy to clean nozzles 2.0 gpm (7.6 L/min) flow restrictors Tub spout not included Components shall be metal and nonmetallic construction, plated in standard Polished Chrome finish Available with TA-10 flow control spindle and T-12A cap assembly for Temptrol valve bodies installed with Test Cap (order p/n 6705TRMTC) For optional in-line vacuum breaker order p/n EF-109 	<ul style="list-style-type: none"> <input type="checkbox"/> L5  1.5 gpm (5.7 L/min) flow restrictor <input type="checkbox"/> L1 Less showerhead <input type="checkbox"/> L2 Less hand shower wand <input type="checkbox"/> L3 Less showerhead & hand shower wand <input type="checkbox"/> L4 Less showerhead, shower arm & flange <input type="checkbox"/> L5 Less hand shower system (less cradle, hose, wand & elbow) <input type="checkbox"/> L7 Less handle <input type="checkbox"/> STN Satin Nickel finish <p>Note: Append appropriate -suffix to model number.</p>
Model Numbers	Warranty
<ul style="list-style-type: none"> <input type="checkbox"/> 6705-TRM Shower/Hand Shower Trim, Temptrol Pressure Balancing Shower Valve and Symmons Dual Outlet Diverter valve ordered separately <input type="checkbox"/> 6705TRMTC Shower/Hand Shower Trim with TA-10 flow control spindle and T-12A cap assembly, must order Temptrol valve with Test Cap 	<p>Limited Lifetime - to the original end purchaser in consumer/residential installations.</p> <p>10 Years - for commercial/industrial installations. Refer to www.symmons.com/warranty for complete warranty information.</p> 
Compliance	
<ul style="list-style-type: none"> ASME A112.18.1/CSA B125.1 WaterSense @ 1.5 gpm and 2.0 gpm (does not apply to L3 modification)  	

Architectural/ Engineering Specification

Symmons Identity _____ With Identity Shower/Hand Shower Trim, Requires Temptrol® Pressure Balancing Shower Valve, Metal level handle, Cradle for hand shower wand, Dual checks for backflow protection, 60" flexible metal hose, 5-1/2" diverter tub spout, 1 mode hand shower wand with easy to clean nozzles, 2.0 gpm (7.6 L/min) flow restrictor, Components shall be metal and nonmetallic construction, plated in standard Polished Chrome finish, Available with TA-10 flow control spindle and T-12A cap assembly for Temptrol valve bodies installed with Test Cap, For optional in-line vacuum breaker order p/n EF-109. 10 Year commercial Warranty. ASME A112.18.1/CSA B125.1, WaterSense 1.5 gpm (5.7 L/min) 2.0 gpm (7.6 L/min) complaint. Available options include: "L5 - 1.5 gpm (5.7 L/min) flow restrictor", "L1 - Less showerhead", "L2 - Less hand shower wand", "L3 - Less showerhead & hand shower wand", "L4 - Less showerhead, shower arm & flange", "L5 - Less hand shower system", "L7 - Less handle", "STN - Satin nickel finish".

6705-TRM, 6705TRMTC

Dimensions



Measurements	
A	5-7/8", 149 mm
B	4-5/8", 117 mm
C	Male 1/2" NPT fitting must be recessed 1/4" (6 mm) from finished wall
D	Diverter Valve Hole Size Min. Ø 3", 76 mm Max. Ø 3-1/4", 83 mm
E	3-1/2", 89 mm
F	2-7/8", 73 mm
G	Ref. 10", 254 mm
H	Shower Valve Hole Size Min. Ø 3", 76 mm Max. Ø 4", 102 mm
I	Rough-in 2-3/8" ± 1/2", 60 mm ± 13 mm
J	3-1/2", 89 mm
K	Ref. 42", 1067 mm
L	Ref. 77", 1956 mm
M	Ø 2-1/2", 64 mm
N	Ø 3-1/8", 79 mm
O	6", 152 mm
P	2-1/8", 54 mm
Q	Ø 5", 127 mm
R	Ø 6-3/8", 162 mm

Notes:

- 1) Valve body and piping not included and shown as reference only.
- 2) Plaster shield (p/n T-176) for dry wall, plaster or other type walls 1/2" or greater.
- 3) All dimensions measured from nominal rough-in (see I as reference).
- 4) Dimensions subject to change without notice.