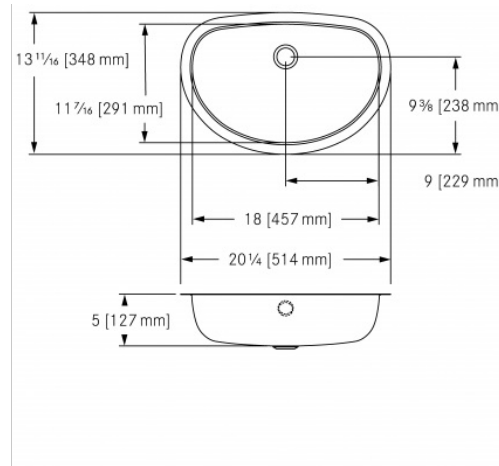


# UNDERMOUNT VANITY BASIN: OV1420U/5

OV1420U/5 | 2000102307



Single compartment undermount vanity basin. 18 gauge (1.2 mm), type 304 (CNS 18/10) stainless steel. Exposed surfaces are #4 satin finished. Undercoated to reduce condensation and resonance. Includes cutout template and installation hardware. Certified to ASME A112.19.3-2008 / CSAB45.4-08. Wheelchair accessible: meets ADA (Americans with disabilities act guidelines), ANSI A117.1 (Accessible and usable buildings and facilities), and CSA B651-04 (Accessible design for the built environment). Check local codes to ensure compliance. Center back waste location, accepts 1 1/4" (32 mm) waste assembly (not included), integral overflow at back of bowl.

## TECHNICAL DATA

type of basin	vanitybasin
bowl depth	5"
Bowl finish	SATIN-FINISHED
Bowl front to back	11 7/16"
Bowl left to right	18"
gross weight	5.02 kg
material	STAINLESS-STEEL
material code	1.4301 Chrome Nickel steel V2A
material thickness grade	18 gauge (1.2 mm)
Overall front to back	13 11/16"
Overall left to right	20 1/4"
overflow	yes
Overflow Location	Back
type of waste kit	optional grid strainer
undercoated	yes
waste hole position	centre back
waste size	DN 32
net weight	4.32 kg
Wheelchair compliant	yes
Faucet ledge	No

## PROJECT INFORMATION

Item Location \_\_\_\_\_

Project Number \_\_\_\_\_

Quote Number \_\_\_\_\_

Notes \_\_\_\_\_

Engineer's Approval