

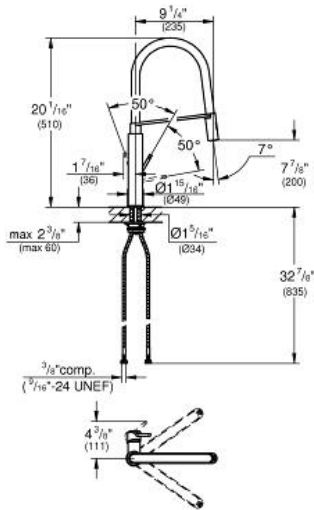
Single-Handle Kitchen Faucet

MODEL # 31492000

Pure Freude an Wasser

GROHE

GROHE America, Inc | 200 North Gary Avenue, Suite G, Roselle, IL 60172
Phone: +1 (800) 444-7643 | Fax: +1 (800) 225-2778 | us-customerservice@grohe.com



Product Description: Single-Handle Kitchen Faucet

Standard Specification:

- Single hole installation
- **GROHE StarLight** chrome finish
- **GROHE SilkMove** 28 mm ceramic cartridge flow strainer
- With integrated temperature limiter
- Professional spray
- With flexible, hygienic GROHFlexx kitchen Santoprene hose
- Locking Push Button Control - to switch from regular flow to spray
- **GROHE EasyDock M** integrated magnet for seamless docking of the spray head
- Swivel spout
- Swivel area 360°
- Protected against backflow
- Stainless steel flex lines
- Quick installation system
- Automatic return to aerator
- Max Flow Rate 1.75 gpm

Applicable Codes & Standards:

- Energy Policy Act of 1992
- NSF 61
- ASME A112.18.1/CSA B125.1
- US Federal and State material regulations
- ICC/ANSI A117.1

Color:

- 31492000 StarLight Chrome