

Location:



SYMMONS[®]

Origins[®]

9602-P, 9602-P-TRM, 9602PTRMTC
Tub/Shower Trim
Specification Submittal



Feature Highlights

- Origins Tub/Shower System or Trim
- Requires Temptrol[®] Pressure Balancing Tub/Shower Valve (included with 9602-P)
- Adjustable stop screw to limit handle turn (included with 9602-P)
- Tri-star handle
- 5-1/2" diverter tub spout
- 1 mode showerhead with easy to clean nozzles
- 2.0 gpm (7.6 L/min) flow restrictor
- Components shall be metal and nonmetallic construction, plated in standard Polished Chrome finish
- Available with TA-10 flow control spindle and T-12A cap assembly for Temptrol valve bodies installed with Test Cap (order p/n 9602PTRMTC)

Model Numbers

- 9602-P**
Tub/Shower Trim with Temptrol Pressure Balancing Tub/Shower Valve
- 9602-P-TRM**
Tub/Shower Trim, Temptrol Pressure Balancing Tub/Shower Valve ordered separately
- 9602PTRMTC**
Tub/Shower Trim with TA-10 flow control spindle and T-12A cap assembly, must order Temptrol valve with Test Cap

Options/Modifications

- 1.2** **CG** 1.2 gpm (4.5 L/min) flow restrictor
- 1.5** **CG** 1.5 gpm (5.7 L/min) flow restrictor
- 1.75** **CG** 1.75 gpm (6.6 L/min) flow restrictor
- L1** Less showerhead
- L4** Less head, arm and flange
- L6** Less tub spout
- L7** Less handle
- VP** Vandal resistant escutcheon screws in place of standard screws
- B** Brass escutcheon (chrome only)
- X** Integral service stops - allows water shut-off at valve for service

Note: Append appropriate suffix to model number.

Compliance

- ASME A112.18.1/CSA B125.1
- WaterSense 1.5 gpm (5.7 L/min), 2.0 gpm (7.6 L/min)
- Buy American Act (9602-P only)



Warranty

Limited Lifetime - to the original end purchaser in consumer/residential installations.

10 Years - for commercial/industrial installations. Refer to www.symmons.com/warranty for complete warranty information.

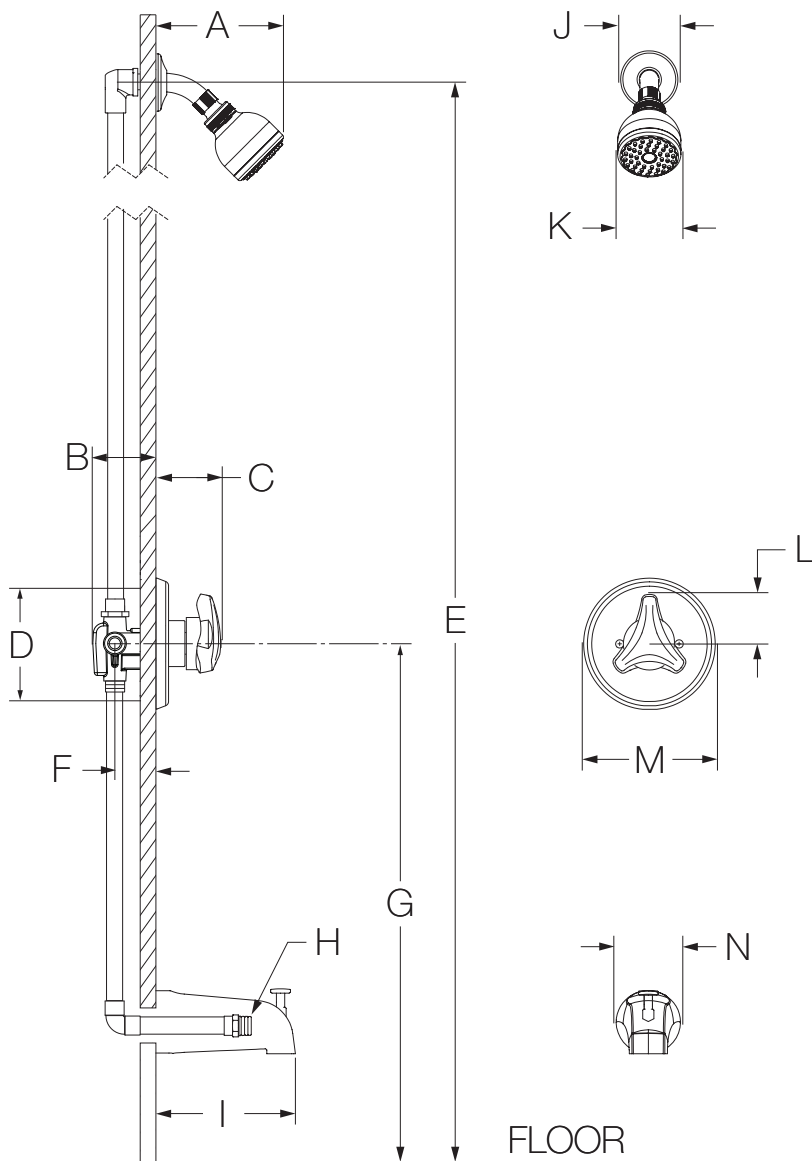


Architectural/ Engineering Specification

Symmons Origins _____ With Origins Tub/Shower System or Trim, Requires Temptrol[®] Pressure Balancing Tub/Shower Valve (included with 9602-P), Adjustable stop screw to limit handle turn (included with 9602-P), Tri-star handle, 5-1/2" diverter tub spout, 1 mode showerhead with easy to clean nozzles, 2.0 gpm (7.6 L/min) flow restrictor, Components shall be metal and nonmetallic construction, plated in standard Polished Chrome finish, Available with TA-10 flow control spindle and T-12A cap assembly for Temptrol valve bodies installed with Test Cap (order p/n 9602PTRMTC) 10 Year Commercial Warranty. ASME A112.18.1/CSA B125.1, WaterSense 1.5 gpm (5.7 L/min), 2.0 gpm (7.6 L/min), complaint. Available options include: "1.2 - 1.2 gpm (4.5 L/min) flow restrictor", "1.5 - 1.5 gpm (5.7 L/min) flow restrictor", "1.75 - 1.75 gpm (6.6 L/min) flow restrictor", "L1 - Less showerhead", "L4 - Less head, arm and flange", "L6 - Less tub spout", "L7 - Less handle", "VP - Vandal resistant escutcheon screws in place of standard screws", "B - Brass escutcheon (chrome only)", "X - Integral service stops - allows water shut-off at valve for service".

9602-P, 9602-P-TRM, 9602PTRMTC

Dimensions



Measurements	
A	6-3/8", 162 mm
B	3-1/2", 89 mm
C	2-7/8", 73 mm
D	Shower Valve Hole Size Min. Ø 3", 76 mm Max. Ø 4", 102 mm
E	Ref. 77", 1956 mm
F	Rough-in 2-3/8" ± 1/2", 60 mm ± 13 mm
G	Ref. 32", 813 mm
H	Male 1/2" NPT fitting must protrude 4" (102 mm) from finished wall
I	5-1/4", 133 mm
J	Ø 2-1/2", 64 mm
K	Ø 2-3/4", 70 mm
L	2-1/8", 54 mm
M	Ø 5-3/4", 146 mm
N	Ø 2-1/2", 64 mm

Notes:

- 1) Valve body and piping not included and shown as reference only.
- 2) Plaster shield (p/n T-176) for dry wall, plaster or other type walls 1/2" or greater.
- 3) All dimensions measured from nominal rough-in (see F as reference).
- 4) Dimensions subject to change without notice.