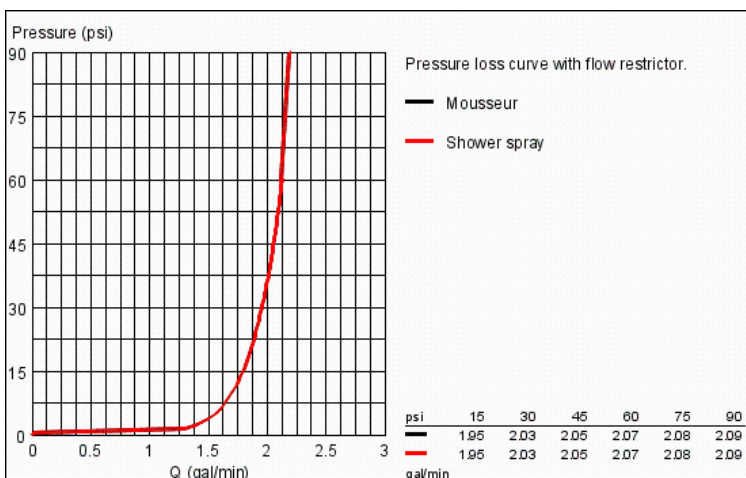
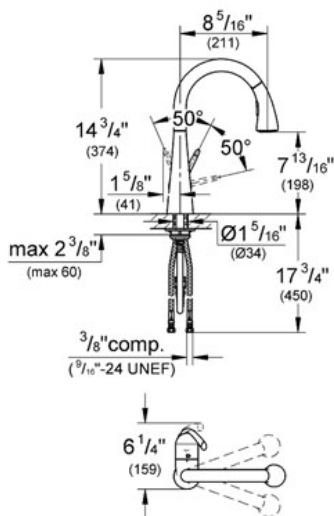


LADYLUX  
Single-lever sink mixer 1/2"  
MODEL # 32298

Pure Freude an Wasser



GROHE America, Inc | 200 North Gary Avenue, Suite G, Roselle, IL 60172  
Phone: +1 (800) 444-7643 | Fax: +1 (800) 225-2778 | us-customerservice@grohe.com



**Product Description:**  
Single-lever sink mixer 1/2"

**Standard Specification:**

- GROHE StarLight® finish
- GROHE SilkMove® ceramic cartridge
- GROHE SuperSteel Infinity Finish™
- GROHE RealSteel® Stainless Steel Construction produced from 304 stainless steel
- SpeedClean anti-lime system
- Pull-out Dual Spray Control - switches back and forth between regular flow and spray
- Single hole installation
- Swivel Spout
- Swivel area 360°
- Adjustable flow rate limiter
- Automatic returning
- Integrated non-return valve
- Locking diverter: aerator/SpeedClean shower jet
- Automatic return to aerator
- Flexible hose connections
- Quick installation system
- Projection 8 5/16"
- Protected against backflow
- Forward rotation lever, does not hit backsplash
- Max Flow Rate 1.75 gpm (6.6 L/min)

**Applicable Codes & Standards:**

- Energy Policy Act of 1992
- NSF 61
- ASME A112.18.1/CSA B125.1
- US Federal and State material regulations
- ICC/ANSI A117.1

**Color:**

- 32298 001 chrome
- 32298 000 chrome
- 32298 00E chrome
- 32298 DC1 supersteel
- 32298 SD0 GROHE RealSteel®
- 32298 SDE stainless steel

*Pure Freude an Wasser*



GROHE America, Inc | 200 North Gary Avenue, Suite G, Roselle, IL 60172  
Phone: +1 (800) 444-7643 | Fax: +1 (800) 225-2778 | [us-customerservice@grohe.com](mailto:us-customerservice@grohe.com)

- 32298 SD1 Stainless Steel
- 32298 KD0 Stainless Steel/  
Soft Black
- 32298 DCE supersteel
- 32298 DC0 supersteel