

Features

- For use with the K-18829 2" x 4" in-wall tank and carrier system
- Dual-flush actuator offers a choice of 0.8 or 1.6 gpf (3.0 or 6.0 lpf)
- Large flush actuator plate opening can be removed for easy access to inner tank
- Eligible for consumer rebates in some municipalities

Installation

- See installation guide for more detailed information

Recommended Products/Accessories

K-18829 2" x 4" In-wall tank and carrier system
K-23723 Faucet cleaner



Codes/Standards




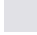

None Applicable

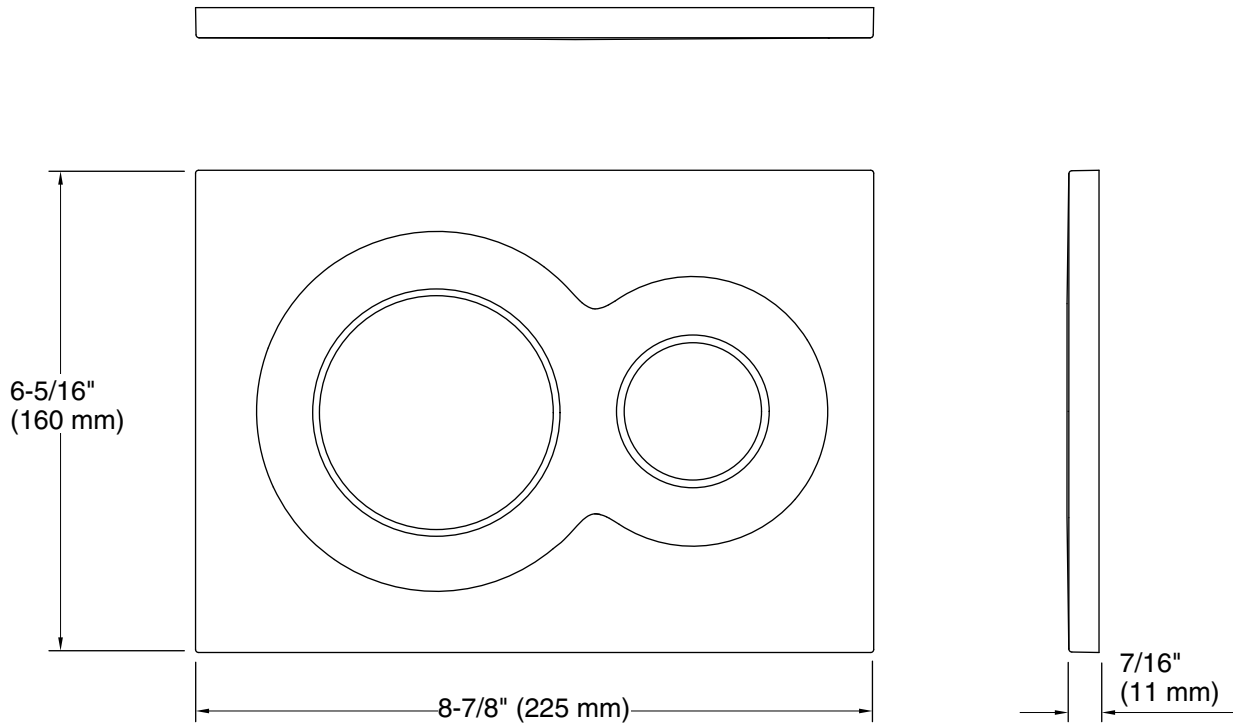
KOHLER® Toilets and Seats Limited Warranty

See website for detailed warranty information.

Available Colors/Finishes

Color tiles intended for reference only.

| Color | Code | Description |
|---|------|-------------------------|
|  | CP | Polished Chrome |
|  | AF | Vibrant® French Gold |
|  | BN | Vibrant® Brushed Nickel |
|  | 0 | White |
|  | 7 | Black Black™ |



Technical Information

All product dimensions are nominal.

Material: Plastic

Notes

Install this product according to the installation guide.