

BENNETTE DROP IN RECTANGULAR 21" X 18" LAVATORY

Features

DR82118

- 21" x 18" rectangular drop in
- 7" / 180mm depth
- Vitreous china
- Self rimming design
- Rear overflow hole
- Single hole 4" & 8" centers for faucet
- 1 1/4" O.D. waste
- Available in white
- Limited 2 Year Warranty



Compliance Certifications

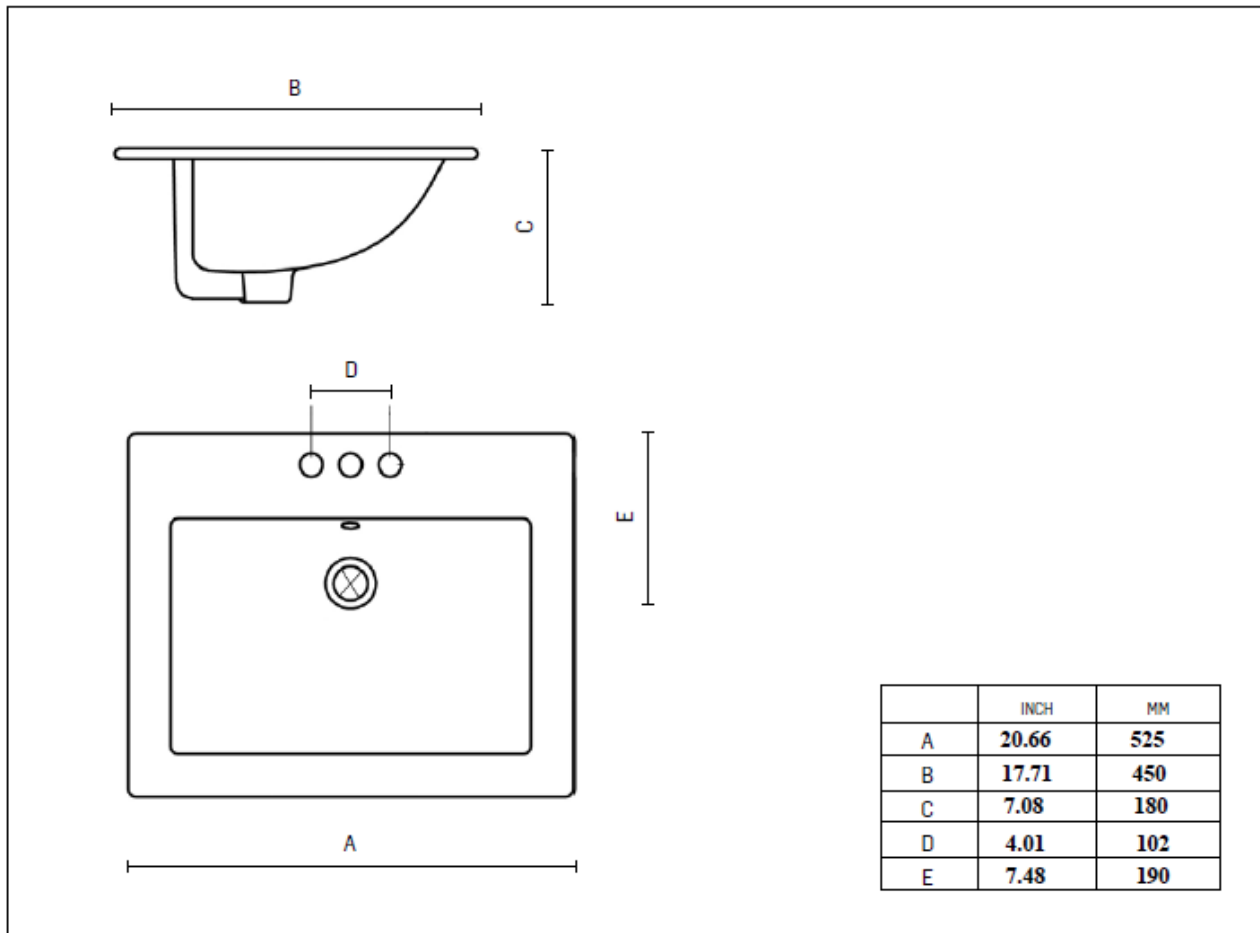
Specified model meets or exceeds the following:

ASME A112.19.2-2003 & IAPMO/ANSI UPC 1-2003
CSA B45.0-02, B45.1-02 and B45S1-04



BENNETTE DROP IN RECTANGULAR 21" X 18" LAVATORY

DR82118



Model Number	Description	Weight	Shipping Dimensions	Cubic Feet
DR82118	BENNETTE DROP IN RECTANGULAR 21" X 18" LAVATORY			