

American Standard



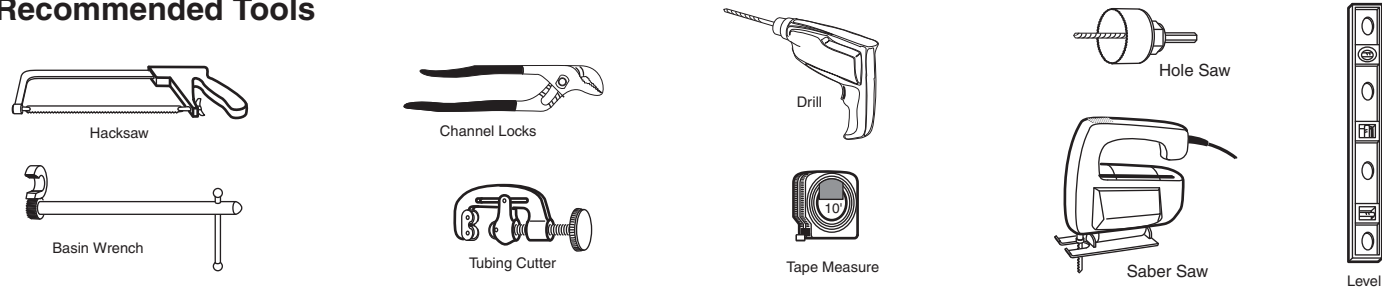
INSTALLATION INSTRUCTIONS

Freedom of Choice

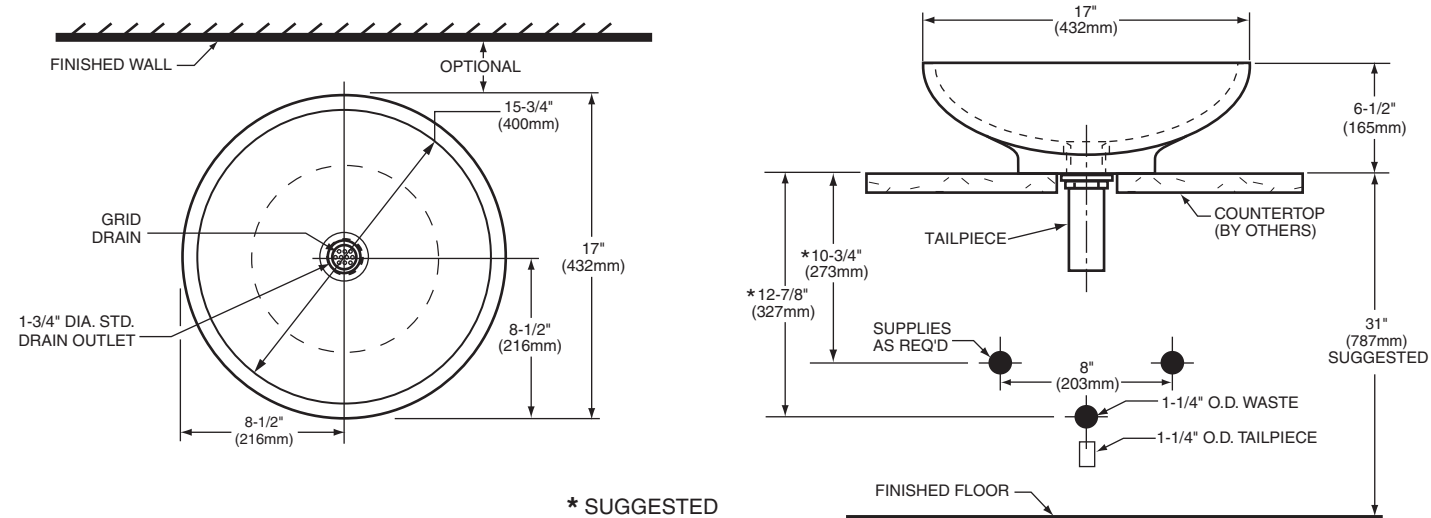
China Vessel Above-Counter 0960

Thank you for selecting our products. To help insure that the installation process will proceed smoothly, please read these instructions carefully before you begin. Also, review the recommended tools list; carefully unpack and examine your new plumbing fixture.

Recommended Tools

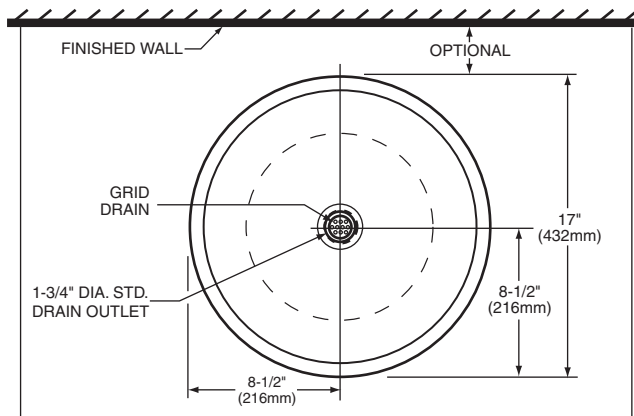


Roughing-in Dimensions



PREPARE COUNTERTOP FOR INSTALLATION OF SINK

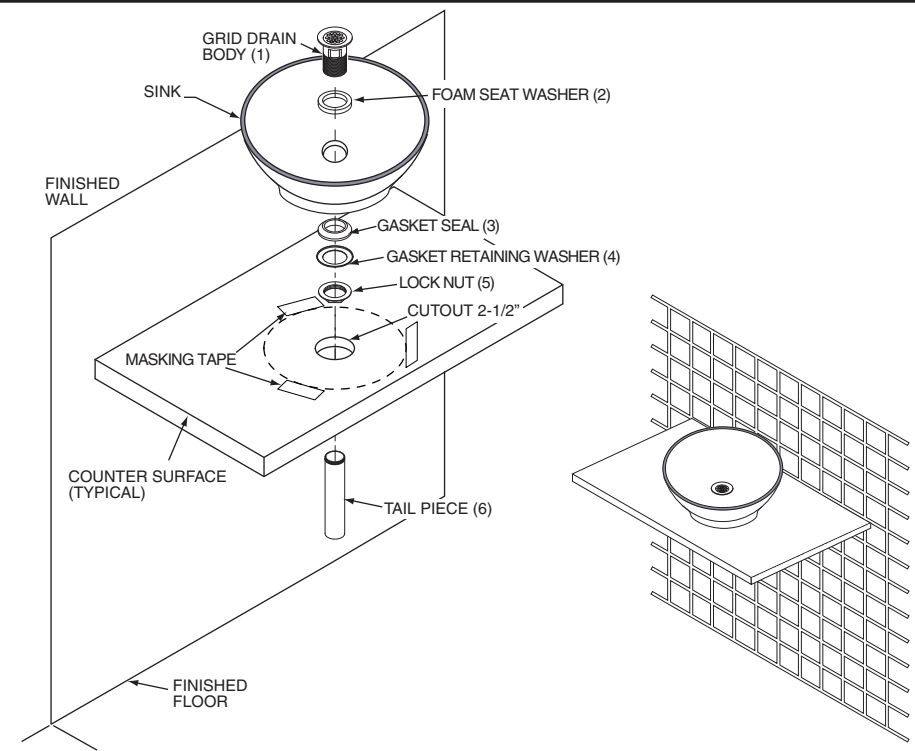
Cut a 2-1/2" (64mm) hole in the counter surface, allowing sufficient distance to the finished wall based on faucets chosen (Deck mount or Wall mount).



INSTALL SINK

The sink is mounted and secured on the countertop by the silicone. Install sink and drain as follows:

- Place sink on counter surface, lining up the drain hole in the sink with drain hole cutout in the counter surface. Using masking tape, mark 3 points around base of sink to mark sink location.
- Install drain supplied:
 - Place foam seat washer (2), directly under the grid drain body (1).
 - Drop grid drain body through drain hole of sink.
 - From underneath the sink, slide gasket (3), retainer (4), and lock nut (5) onto the threaded grid drain body and tighten snugly into position.
 - Install tail piece (6) into grid drain body (1).
- With the location marked, pick up sink, turn it over, and apply a bead of adhesive-sealant to bottom of sink base. Place the sink down onto counter surface using marks as a guide. Remove excess adhesive-sealant around base of sink. Form a fillet of sealant with a wet finger or sponge.



COMPLETION OF INSTALLATION

Install faucet and fittings, trap, and connect to supply and drain stub in accordance with manufacturer's directions.

Water test unit, check for leakage and correct as needed.

CARE AND MAINTENANCE

CAUTION: Do not over-tighten. The nut on the drain should be finger tightened and then turned no more than one additional turn. In most cases, depending upon the drain chosen, plumbers putty or a series of rubber gaskets will be used to create a water tight seal. Over tightening also tends to press out or dislodge plumbers putty or distort rubber gaskets. The result could be a leaky drain and an overstressed point in the china. Do not use harsh abrasives or caustic cleaners to clean fixture surfaces. A mild detergent, warm water, and a soft cloth will remove normal dirt and soap accumulations from fittings and surfaces. Rinse thoroughly after cleaning and polish with a soft dry cloth to restore original luster of material.

REPAIR PARTS LIST

738990-002A	Overflow Cap
738989-0002A	Chrome Grid Drain

AMERICAN STANDARD ONE-YEAR LIMITED WARRANTY

If inspection of this American Standard plumbing product, within one year after its initial installation, confirms that it is defective in materials or workmanship, American Standard will repair or, at its option, exchange the product for a similar model.

This limited warranty **does not apply** to local building code compliance; since local building codes vary considerably, the purchaser of this product should check with a local building or plumbing contractor to insure local code compliance before installation.

This warranty **shall be void** if the product has been moved from its initial place of installation; if it has been subjected to faulty maintenance, abuse, misuse, accident or other damage; if it was not installed in accordance with American Standard's instructions; or if it has been modified in a manner inconsistent with the product as shipped by American Standard.

American Standard's option to repair or exchange the product under this warranty does not cover any labor or other costs of removal or installation, **nor shall American Standard be responsible for any other incidental or consequential damages attributable to a product defect or to the repair or exchange of a defective product, all of which are expressly excluded from this warranty.** (Some states or provinces do not allow the exclusion or limitation of implied warranties, so this exclusion may not apply to you.)

This warranty gives you specific legal rights. You may have other statutory rights that vary from state to state or from province to province, in which case this warranty does not affect such statutory rights.

For service under this warranty, it is suggested that a claim be made through the contractor or dealer from or through whom the product was purchased, or that a service request (including a description of the product model and of the defect) be sent to the following address:

In the United States:
American Standard Inc.
P.O. Box 6820
Piscataway, New Jersey 08855
Attention: Director of Consumer Affairs

In Canada:
American Standard
2480 Stanfield Rd.
Mississauga, Ontario
Canada L4Y 1S2

In Mexico:
Customer Service Manager
Ideal Standard, S.A. de C.V.
Via Morelos #330
Col. Santa Clara
Ecatepec 55540 Edo. Mexico

For residents of the United States, warranty information may also be obtained by calling the following toll free number: (800) 442-1902

Toll Free: (800) 387-0369

www.americanstandard.ca

www.americanstandard.com.mx

www.americanstandard-us.com