



### FloWise™ DUAL FLUSH RIGHT HEIGHT™ ELONGATED TOILET

**2484 216**

- Vitreous china
- Low-consumption Dual Flush  
Full flush 6.0 Lpf/1.3 gpf,  
Partial flush 3.0 Lpf/0.66 gpf.
- Right Height™ Elongated wash down bowl
- Internal trapway fully-glazed,  
2-1/4" (57mm) ballpass
- Concealed trapway bowl
- Chrome-plated top mounted  
push button actuator
- Easy to clean sanitary dam on bowl
- Includes Elongated Slow Close Seat
- 100% factory flush tested
- 2 bolt caps

**Separate Component Parts:**

- 3073 316** Right Height™ Elongated Bowl
- 4035 216** Unlined Tank

- 2484 516** Same as above with Lined tank
- 3073 316** Right Height™ Elongated Bowl
- 4035 516** Lined Tank

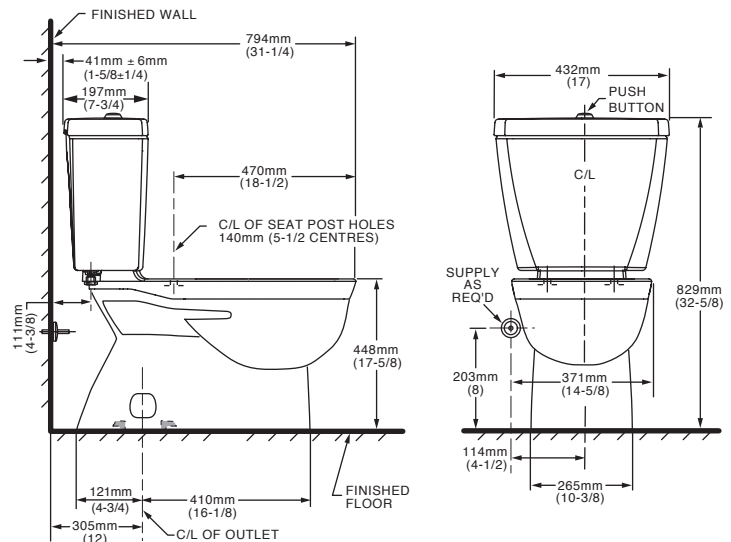
Nominal Dimensions:  
794 x 432 x 829mm  
(31-1/4" x 17" x 32-5/8")

**Compliance Certifications -  
Meets or Exceeds the Following Specifications:**

- ASME A112.19.2M (and 19.6M)
- CAN/CSA B45 series

To Be Specified

- Colour: 020 White
- Supply with stop:



**NOTES:**

THIS TOILET IS DESIGNED TO ROUGH-IN AT A MINIMUM DIMENSION OF 305MM (12") FROM FINISHED WALL TO C/L OF OUTLET.

SUPPLY NOT INCLUDED WITH FIXTURE AND MUST BE ORDERED SEPARATELY.

\* DIMENSION SHOWN FOR LOCATION OF SUPPLY IS SUGGESTED.

FOR ADDITIONAL INFORMATION REFER TO INSTALLATION INSTRUCTIONS SUPPLIED.

IMPORTANT: Dimensions of fixtures are nominal and may vary within the range of tolerance established by ANSI Standard A112.19.2

These measurements are subject to change or cancellation. No responsibility is assumed for use of superseded or voided pages.



● When installed so top of seat is 432 to 483mm (17" to 19") from the finished floor.

**MEETS THE AMERICAN DISABILITIES ACT GUIDELINES AND ANSI A117.1 REQUIREMENTS FOR ACCESSIBLE AND USEABLE BUILDING FACILITIES- CHECK LOCAL CODES.**

**UPGRADED VALUE ADDED FEATURES AT NO EXTRA CHARGE**