

# INSTALLATION INSTRUCTIONS

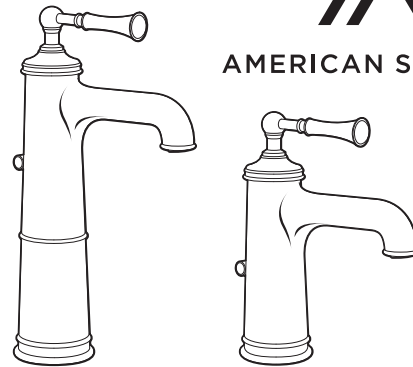
## Randall™ Single Lever Lavatory and Vessel Faucets

**Monoblock  
Model D35102100**

**Vessel  
Model D35102150  
Model D35102151**



AMERICAN STANDARD



Thank you for selecting DXV by American Standard.  
To ensure that your installation proceeds smoothly,  
please read these instructions carefully  
before you begin.

### RECOMMENDED TOOLS AND MATERIALS

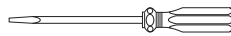
Most of the procedures require the use of common tools and materials, which are available from hardware and plumbing supply stores. It is essential that the tools and materials be on hand before work is begun.



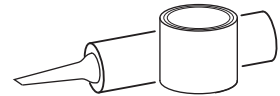
Channel Locks



Adjustable Wrench



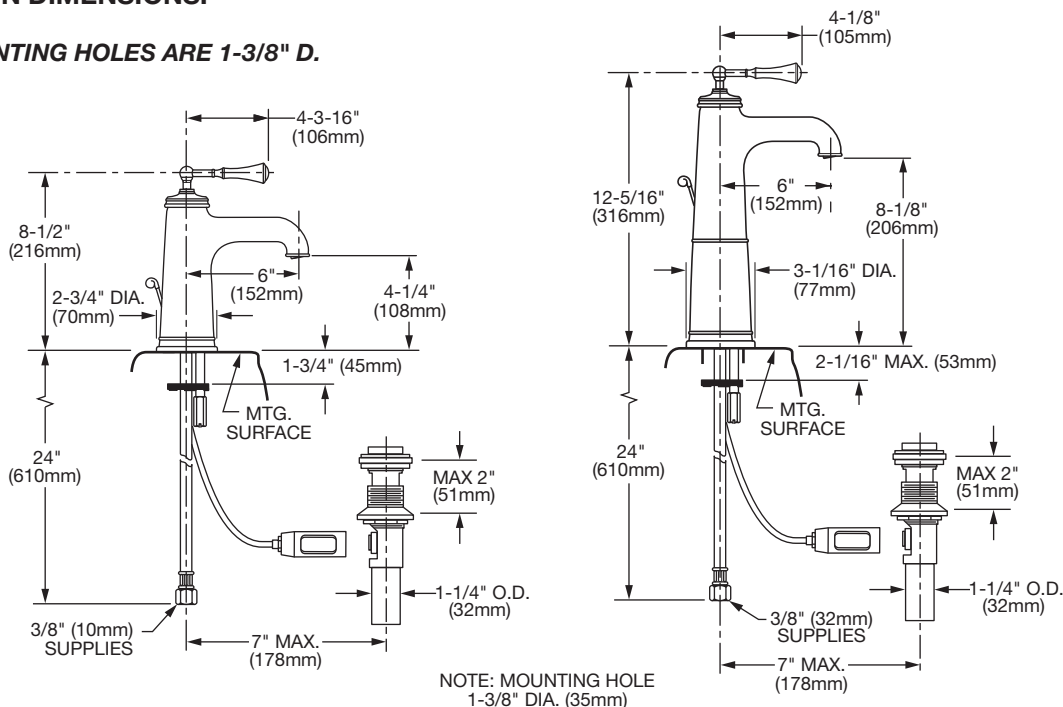
Flat Blade Screwdriver



Plumbers' Putty or Caulking

### ROUGHING-IN DIMENSIONS:

- For reference
- **NOTE: MOUNTING HOLES ARE 1-3/8" D.**



SAVE FOR FUTURE USE

#### In the United States:

DXV by American Standard  
One Centennial Avenue  
Piscataway, New Jersey 08855  
Attention: Director of Customer Care

For residents of the United States, warranty information may also be obtained by calling the following toll free number: (800) 227-2734  
www.DXV.com

#### In Canada:

DXV by American Standard  
5900 Avebury Road  
Mississauga, Ontario  
L5R 3M3  
Canada

Toll Free: 1-800-387-0369  
Local: 905-306-1093  
Fax: 1-800-395-1498  
www.DXV.ca

#### In Mexico:

DXV by American Standard  
Via Morelos 330  
Col. Santa Clara Coatitla  
Ecatepec, Estado de México 55540

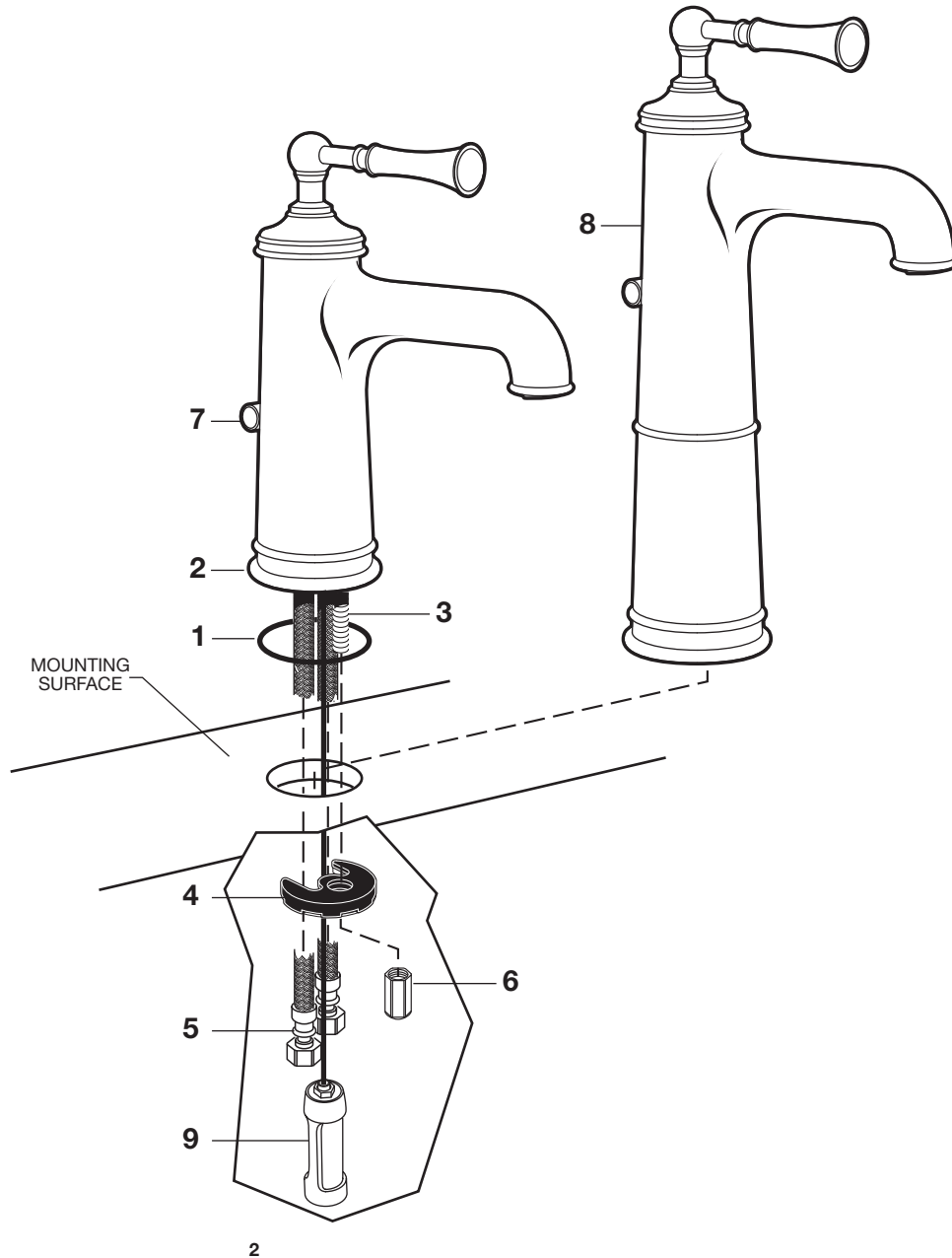
Toll Free: 01-800-8391200  
www.DXV.mx

# 1 INSTALL FAUCET (LAVATORY AND VESSEL FAUCETS)

## CAUTION

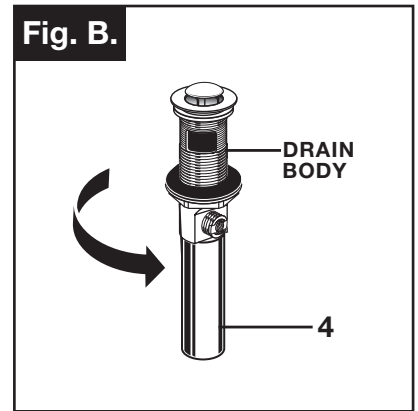
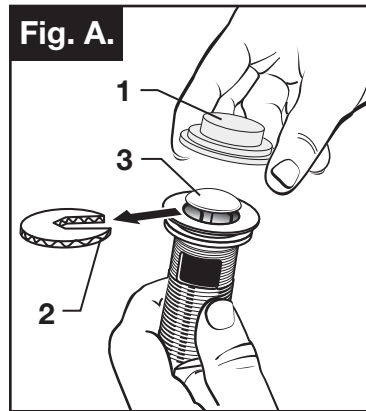
Turn off hot and cold water supplies before beginning.

- Install O-RING (1) into **O-ring groove** of FAUCET BASE (2).
- Feed FAUCET SUPPLY TUBES (5) and SHANK (3) and DRAIN CABLE ASSEMBLY (9) through mounting hole of lavatory or mounting surface.
- From below, Install RUBBER SEAL with RETAINING WASHER (4) and LOCKNUT (6) onto faucet SHANK (3). Before final tightening, faucet should be seated flush on mounting surface. Adjust faucet so that it is centered and covers mounting hole. Tighten LOCKNUT (6) using a 0.6" (15mm) or adjustable wrench. Do not over tighten.
- Installation is the same for VESSEL FAUCET (8).



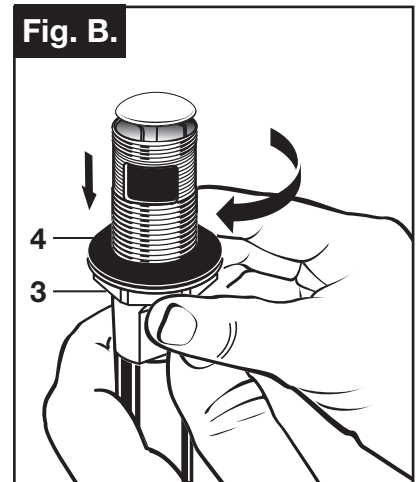
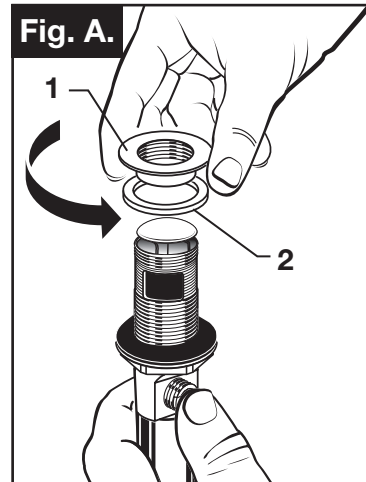
## 2 POP-UP DRAIN

- Remove CLEAR PLASTIC COVER (1).
- Remove CARDBOARD SPACER (2) from under DRAIN POP-UP (3).
- Tighten TAILPIECE (4) on DRAIN BODY before installing DRAIN BODY. **Fig. B.**



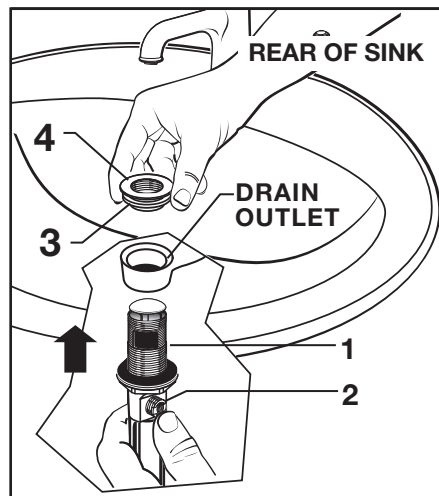
## 3 REMOVE FLANGE

- Thread FLANGE (1) counter-clockwise and remove FLANGE (1) and FOAM GASKET (2) from drain body. **Fig. A.**
- Thread LOCKNUT (3) clock-wise to bottom of drain body. Push GASKET (4) down against LOCKNUT (3). **Fig. B.**



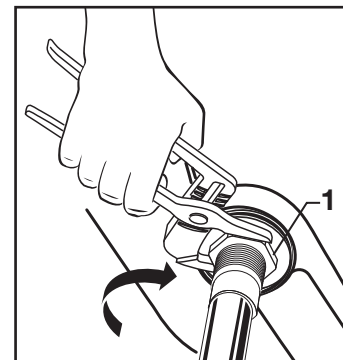
## 4 INSTALL DRAIN FROM BELOW FIXTURE

- From under side of SINK install DRAIN BODY (1) up through drain outlet.
- Note:** No plumber's putty or caulk is required. The CABLE ATTACHMENT POINT (2) must face towards the rear of the SINK.
- Install FOAM GASKET (3) and FLANGE (4) onto drain body from above SINK and tighten FLANGE (4) firmly.



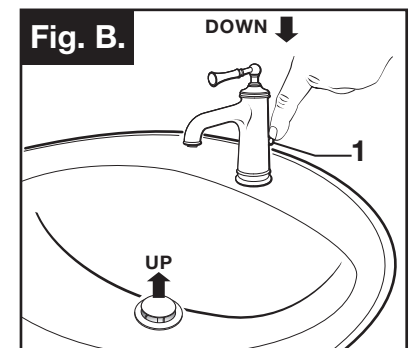
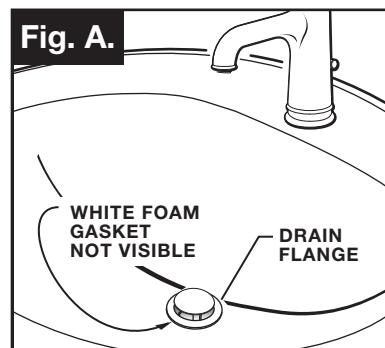
## 5 TIGHTEN LOCKNUT

- Tighten LOCKNUT (1) firmly with Adjustable Wrench or Channel Locks.



## 6 FLANGE GASKET AND POP-UP KNOB

- Check DRAIN FLANGE in SINK to ensure that WHITE FOAM GASKET (3) is fully compressed and not visible. **Fig. A.**
- POP-UP KNOB (1) must be fully down. **Fig. B.**

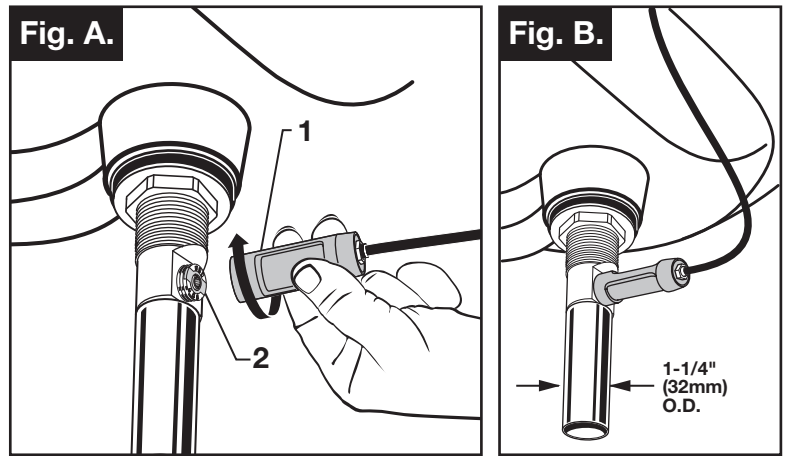


## 7 ATTACH CABLE CONNECTOR

- Thread CABLE CONNECTOR (1) clockwise onto DRAIN BODY CONNECTION (2) and hand tighten. **Fig. A.**

Your new POP-UP DRAIN installation is now complete. **Fig. B.**

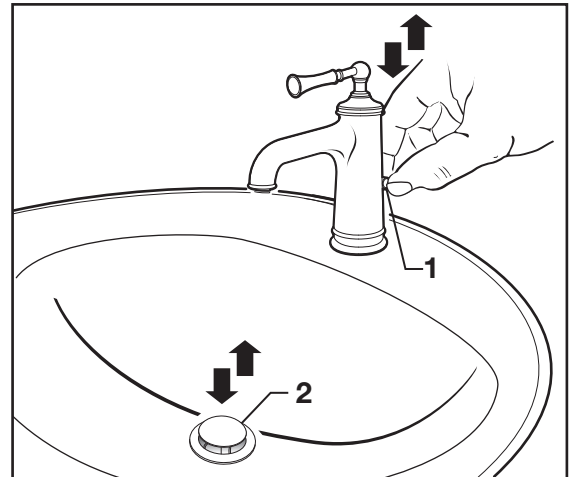
**Note:** Tailpiece on pop-up drain is 1-1/4" (32mm) O.D. **Fig. B.**



## 8 CHECK OPERATION OF POP-UP

- Operate LIFT KNOB (1) to verify that STOPPER (2) opens and closes.

**Note:** If STOPPER (2) does not open and close properly then refer to the "troubleshooting section" of these instructions.



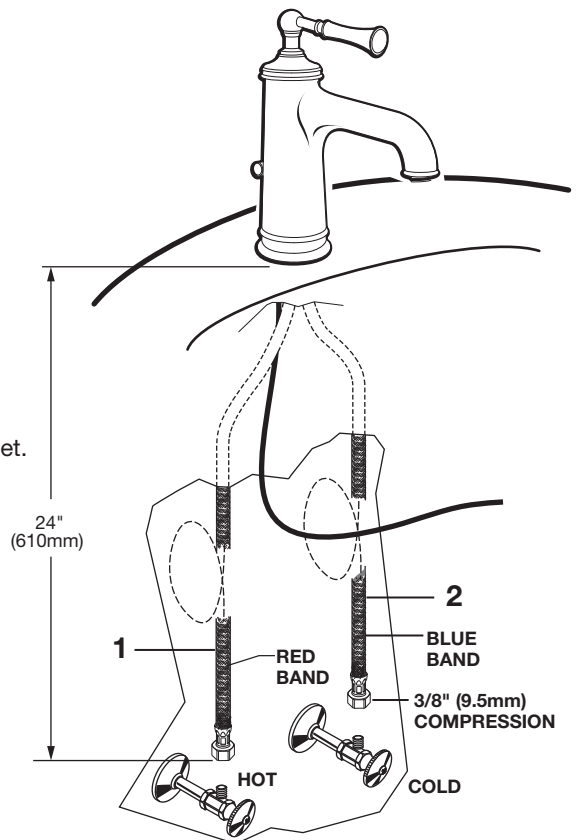
## 9 MAKE WATER SUPPLY AND WASTE CONNECTIONS

- Connect FLEXIBLE SUPPLIES (1, 2) directly to wall supplies. Connection on fitting supplies are 3/8" (9.5mm) compression. Connect left SUPPLY (1) to Hot (Marked with a Red Band) and right supply to COLD (2) wall supply.
- Faucet supplies are 24" (610mm) long from faucet base.

**Note:** If additional supply length is required, installer must purchase additional parts separately.

**Important:** If SUPPLY HOSES (1, 2) are to long, loop as illustrated to avoid kinking.

- Connect 1-1/4" (32mm) O.D. tailpiece on POP-UP DRAIN to waste outlet.

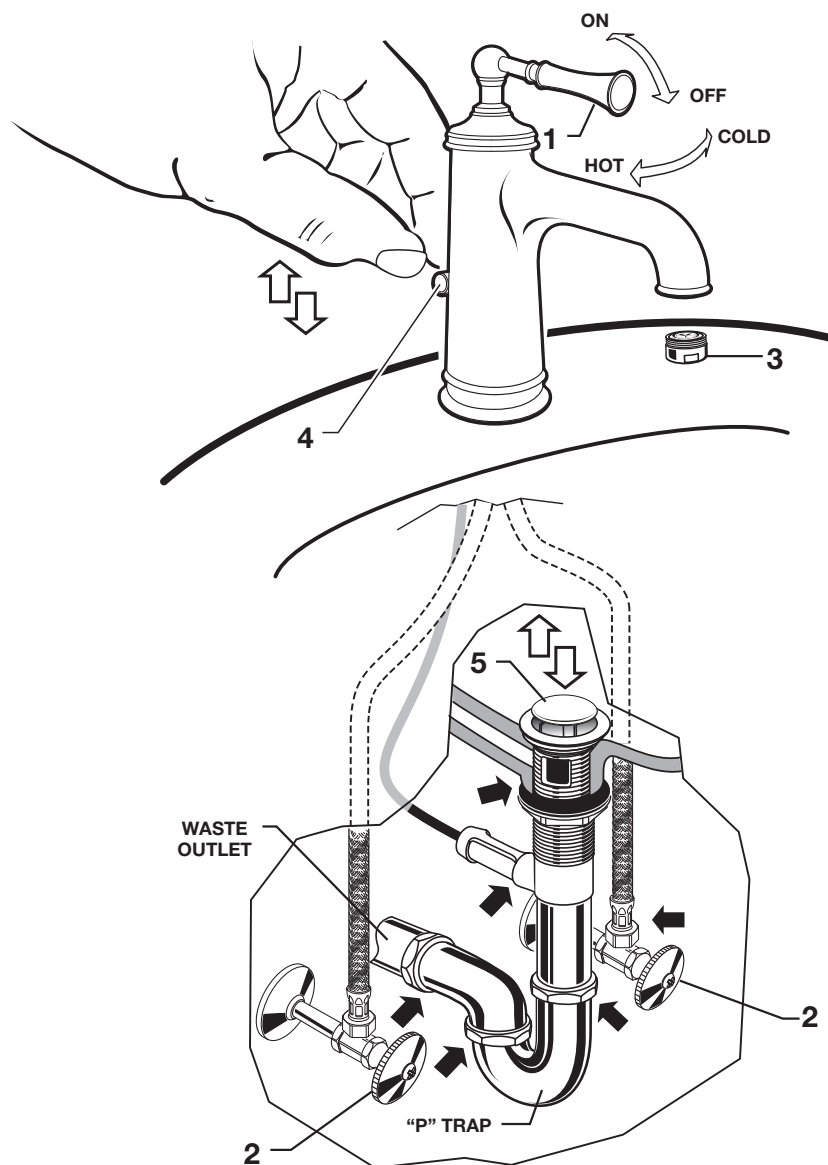


## 10 TEST INSTALLED FITTING

- With HANDLE (1) in OFF position, turn on WATER SUPPLIES (2) and check all connections for leaks. ➡
- Remove AERATOR (3).
- Operate HANDLE (1) to flush water lines thoroughly.
- Replace AERATOR (3).

### CHECK DRAIN CONNECTIONS

- Operate POP-UP KNOB (4) and fill lavatory with water. Check that DRAIN STOPPER (5) makes a good seal and retains water in Sink. If DRAIN STOPPER (5) does not seal properly, please refer to Troubleshooting section in these instructions.
- Release POP-UP KNOB (4) down and check all drain connections and "P" trap for leaks. ➡Tighten if necessary.



## Speed Connect® Drain Troubleshooting Guide

**If sink does not hold water even though Stopper is in the “down” position:**

- Follow CABLE ADJUSTMENT PROCEDURE.

**If Stopper does not raise up fully or sink drains too slowly:**

- Follow CABLE ADJUSTMENT PROCEDURE.

**If you need to remove the Stopper:**

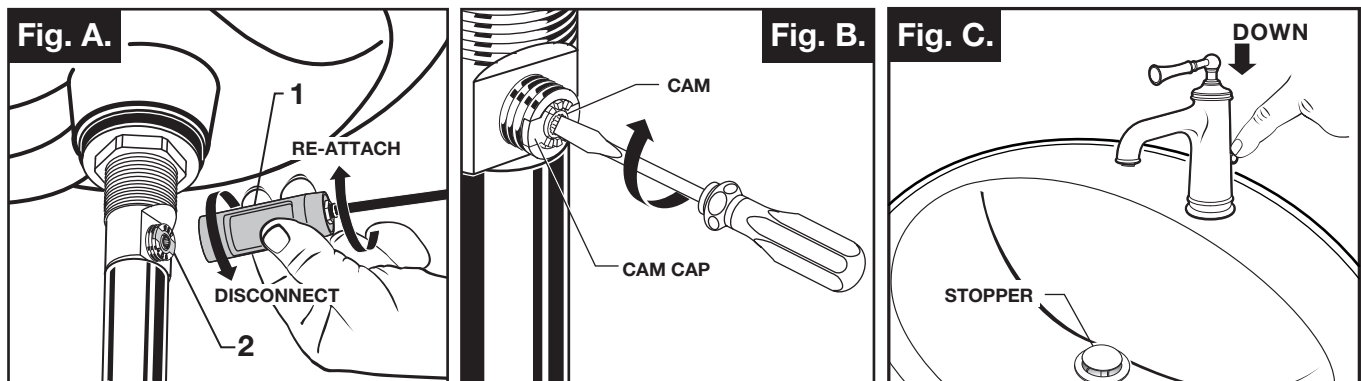
- Follow STOPPER REMOVAL PROCEDURE.

**If you would like the ability to remove your Stopper simply by lifting it out of the drain:**

- Follow STOPPER INSTALLATION PROCEDURE for “Unlocked” mode.

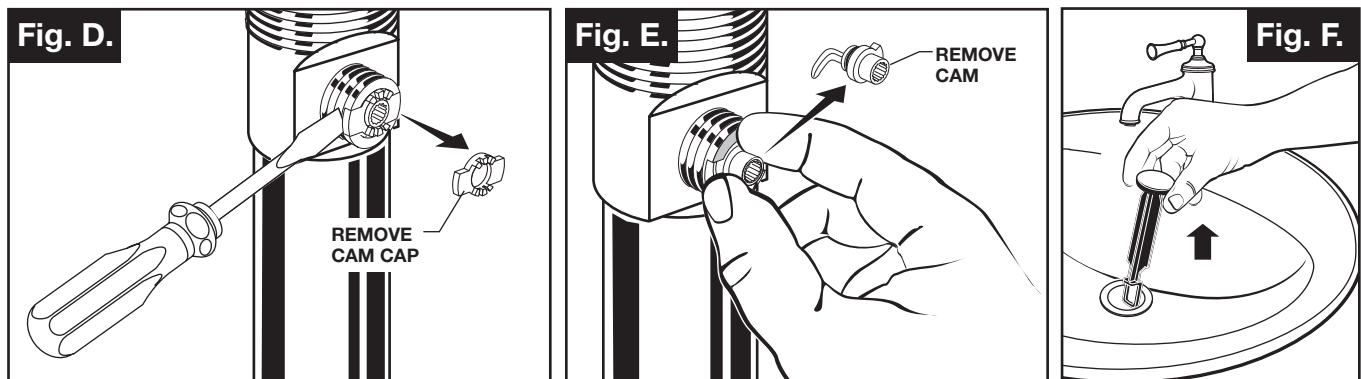
### CABLE ADJUSTMENT PROCEDURE

- Disconnect the Cable from the Drain by threading the Cable Connector (1) counter-clockwise. **Fig. A.**
- Look at the area on the Drain Body where the Cable was attached and locate the component labeled as “Cam” in the illustration. **Fig. B.**
- Use a small screwdriver to rotate the Cam in the clockwise direction as far as it will go. At this point the Stopper should be in the UP position. **Fig. B, C.**
- Push DOWN on the Lift-Knob to make sure it is fully down. **Fig. C.**
- Re-attach the Cable to the Drain Body Connection (2) by threading the Cable Connector (1) clockwise onto the Drain Body Connection (2) and hand-tighten. **Fig. A.**



### STOPPER REMOVAL PROCEDURE

- Disconnect the Cable from the Drain by threading the Cable Connector (1) counter-clockwise. **Fig. A.**
- Look at the area on the Drain Body where the Cable was attached and locate the component labeled as “Cam” and “Cam Cap” in the illustration. **Fig. B.**
- Use fingers or small screwdriver under either side of the Cam Cap to pry it out from the Drain. **Fig. D.**
- Remove the Cam by pulling it straight out while wiggling gently to loosen the Rubber Seal. **Fig. E.**
- The Stopper can now be removed by lifting it out of the Drain. **Fig. F.**

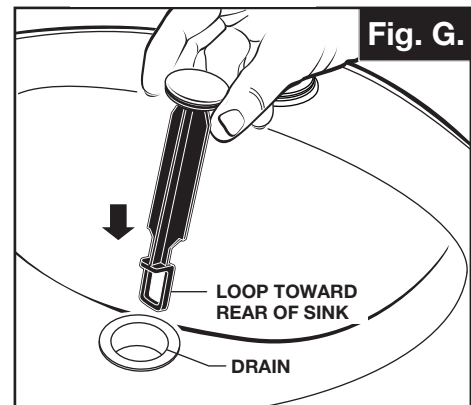


## STOPPER INSTALLATION PROCEDURE

The Stopper can be installed two ways, “Locked” Mode (Stopper cannot be removed) or “Unlock” Mode (Stopper is removable).

### Locked Mode:

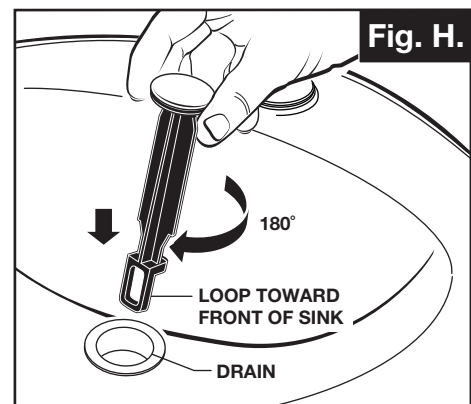
- Look at the Plastic Loop at the bottom of the Stopper and notice that the Loop is on one side of the Stopper. **Fig. G.**
- To install the stopper in “Locked” mode, insert the Stopper into the Drain so that the Plastic Loop is facing toward the **rear** of the Sink. Rotate Stopper slightly if necessary so that the Stopper slides all the way down. **Fig. G.**
- Re-install the Cam into the Drain, rotating the Cam if necessary to make sure it is fully inserted. **Fig. J.**
- Re-install the Cam Cap, making sure the guide teeth are facing outward. If the Cam Cap does not “snap” into place, then rotate the Cam to make sure it is fully inserted. **Fig. K.**
- Re-attach Cable. See “CABLE ADJUSTMENT PROCEDURE” in Troubleshooting Guide to complete installation. Stopper will be in “Locked” mode and not be removable.



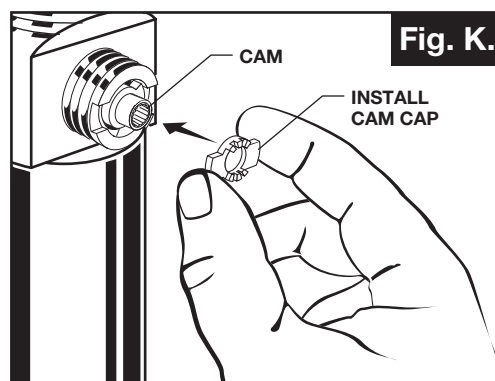
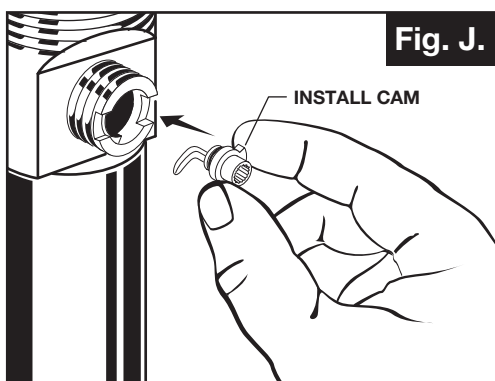
**Locked Mode  
(Vandal Proof)**

### Unlocked Mode:

- Look at the Plastic Loop at the bottom of the Stopper and notice that the Loop is on one side of the Stopper. **Fig. H.**
- To install the stopper in “Unlocked” mode, insert the Stopper into the Drain so that the Plastic Loop is facing toward the **front** of the Sink. Rotate Stopper slightly if necessary so that the Stopper slides all the way down. **Fig. H.**
- Re-install the Cam into the Drain, rotating the Cam if necessary to make sure it is fully inserted. **Fig. J.**
- Re-install the Cam Cap, making sure the guide teeth are facing outward. If the Cam Cap does not “snap” into place, then rotate the Cam to make sure it is fully inserted. **Fig. K.**
- Re-attach Cable. See “CABLE ADJUSTMENT PROCEDURE” in “Troubleshooting Guide” to complete installation. Stopper will be in “Unlocked” mode and removable.



**Unlocked Mode**





AMERICAN STANDARD

# Randall™ Single Lever Lavatory and Vessel Faucets

MODEL NUMBERS

Lavatory	
<b>D35102100</b>	
Vessel	
<b>D35102150</b>	
<b>D35102151</b>	

Replace the "XXX" "YYY" with appropriate finish code

POLISHED CHROME	100
BRUSHED NICKEL	144
PLATINUM NICKEL	150

