



Certified to comply with ANSI A112.18.1

M965263 REV. 1.5

FERN™

Monoblock Bathroom Sink Faucet with Conventional Pop-up Drain

Thank you for selecting American-Standard...the benchmark of fine quality for over 100 years.

To ensure that your installation proceeds smoothly—please read these instructions carefully before you begin.

Recommended tools



Screwdriver



Channel Locks



Adjustable Wrench

CARE INSTRUCTIONS:

DO: SIMPLY RINSE THE PRODUCT CLEAN WITH CLEAR WATER. DRY WITH A SOFT COTTON FLANNEL CLOTH.

DO NOT: DO NOT CLEAN THE PRODUCT WITH SOAPS, ACID, POLISH, ABRASIVES, HARSH CLEANERS, OR A CLOTH WITH A COARSE SURFACE.

1 INSTALL FAUCET

CAUTION

Turn off hot and cold water supplies before beginning.

- Seat SEAL (1) into under side of FAUCET BASE (2). **Fig. A.**
- Feed FAUCET SUPPLIES (3), MOUNTING STUD (4) and LIFT ROD (8) through the mounting hole of lavatory or mounting surface. **Fig. A.**
- From below, push GASKET (7) with RETAINING WASHER (5) onto MOUNTING STUD (4). Install MOUNTING NUT (6) onto MOUNTING STUD (4). **Fig. B.**
- Adjust Faucet so that it is centered. Tighten MOUNTING NUT (6) to complete faucet mounting.

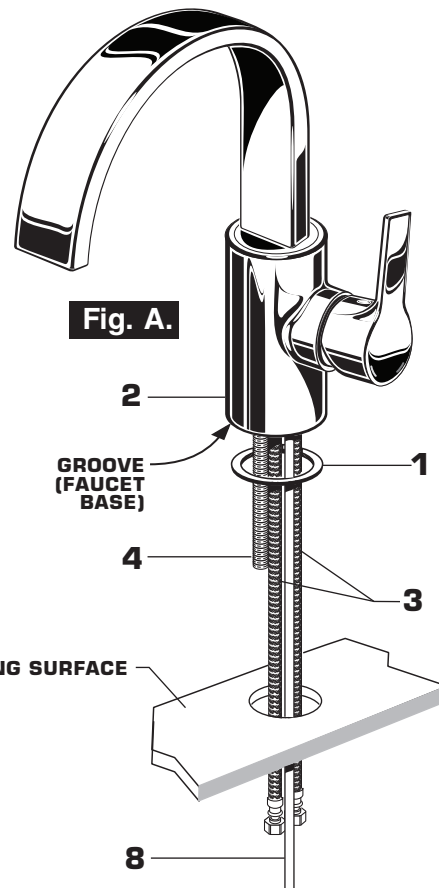


Fig. A.

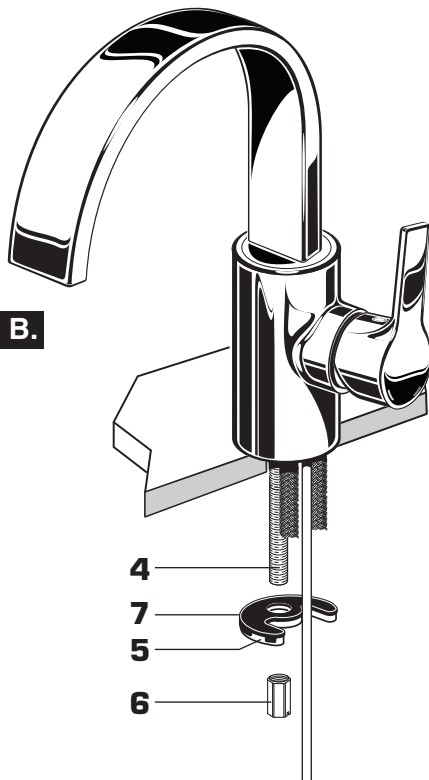


Fig. B.

MOUNTING SURFACE

2 INSTALL POP-UP DRAIN

Fig. 1

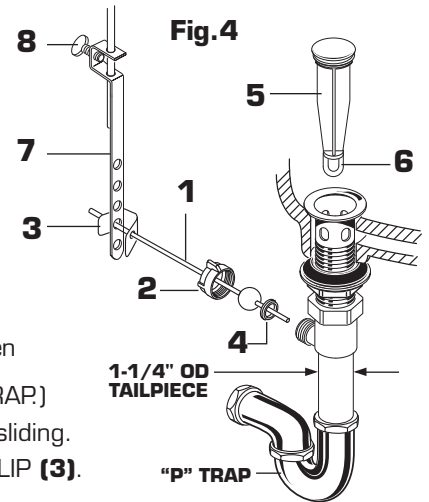
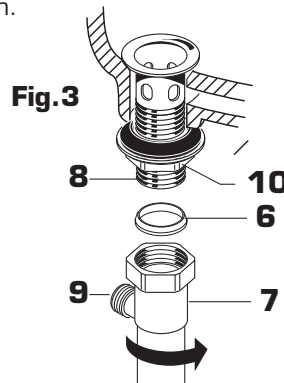
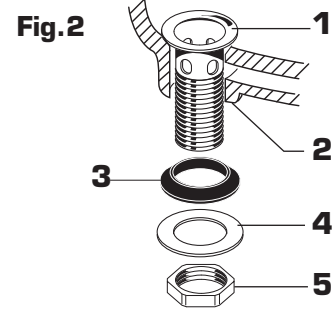
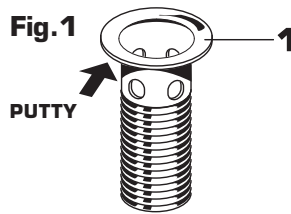
- Apply a bead of putty to underside of FLANGE (1).

Fig. 2

- Drop FLANGE (1) into LAVATORY DRAIN (2).
- From below assemble RUBBER GASKET (3), METAL WASHER (4) and LOCK NUT (5). Do not tighten.

Fig. 3

- Place SEAL (6) with small end facing up into TAILPIECE (7) and tighten against DRAIN BODY (8).
- PIVOT ROD (9) opening in TAILPIECE (7) should face the rear of the lavatory.
- Tighten LOCK NUT (10) with channel locks. Do not over tighten.



3 ASSEMBLE PIVOT ROD TO POP-UP DRAIN

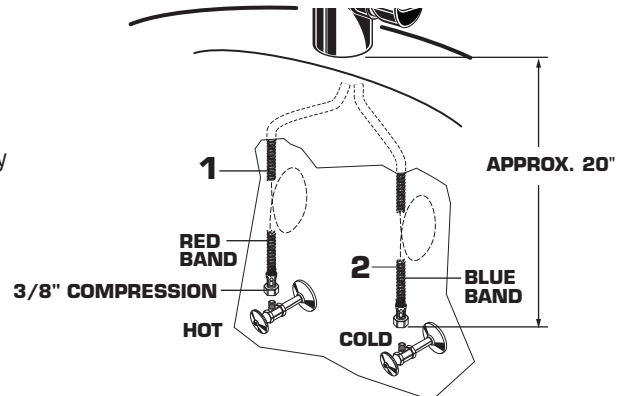
- Assemble PIVOT ROD (1), PIVOT NUT (2), CLIP (3) and SEAL (4) as shown. Hand tighten PIVOT NUT (2). Drop STOPPER (5) into drain. (For vandal proof drain rotate stopper so PIVOT ROD (1) goes through EYE (6) of STOPPER (5). Make connection to "P" TRAP.)
- Remove one end of CLIP (3) from PIVOT ROD (1) by squeezing ends together while sliding.
- Insert PIVOT ROD (1) into second or third hole in EXTENSION (7) and reassemble CLIP (3). (EXTENSION (7) may need to be bent).
- Adjust STOPPER (5) height by repositioning EXTENSION (7) and tightening THUMBSCREW (8).

4 MAKE WATER SUPPLY

- Connect FLEXIBLE SUPPLIES (1, 2) directly to wall supplies. Connection on fitting supplies are 3/8" compression. Connect left SUPPLY (1) to Hot (Marked with a Red Band) and right supply to COLD (2) wall supply.
- Faucet supplies are 20" long from faucet base.

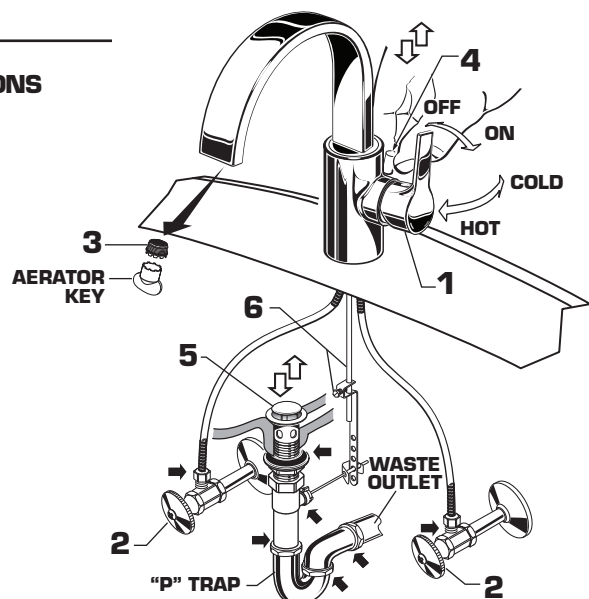
Note: If additional supply length is required, installer must purchase additional parts separately.

Important: If SUPPLY HOSES (1, 2) are to long, loop as illustrated to avoid kinking.



5 TEST INSTALLED FITTING and CHECK DRAIN CONNECTIONS

- With HANDLE (1) in OFF position, turn on WATER SUPPLIES (2) and check all connections for leaks. ➡
- Remove AERATOR (3).
- Operate HANDLE (1) to flush water lines thoroughly.
- Replace AERATOR (3).
- Operate POP-UP KNOB (4) and fill lavatory with water. Check that DRAIN STOPPER (5) makes a good seal and retains water in SINK. If DRAIN STOPPER (5) does not seal properly, adjust POP-UP ROD (6).
- Release POP-UP KNOB (4) down and check all drain connections and "P" trap for leaks. ➡ Tighten if necessary.

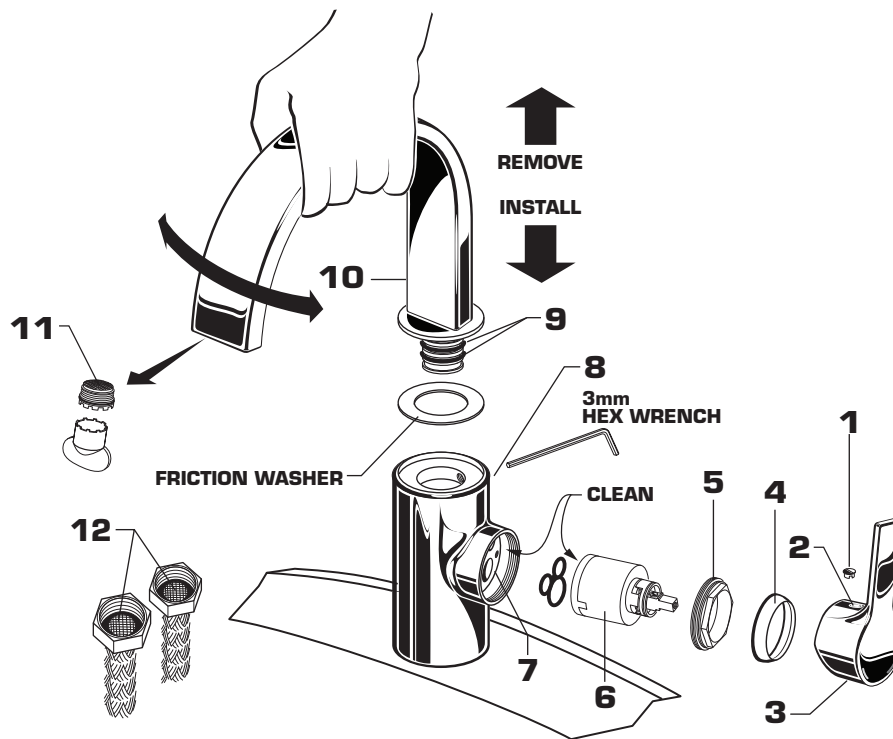


■ **Clogged CARTRIDGE outlets or inlets may cause reduced flow.** To clean, first turn off water supply then:

- Pull out INDEX BUTTON (1). Loosen HANDLE SCREW (2) with 2.5mm Hex Wrench, then pull HANDLE (3) off.
- Unthread ESCUTCHEON CAP (4). Unthread the CARTRIDGE NUT (5).
- Remove CARTRIDGE (6). Clean inlets of CARTRIDGE (6) and MANIFOLD (7).
- Reassemble CARTRIDGE (6). Replace CARTRIDGE NUT (5), CAP (4) and HANDLE assembly, check flow.

■ **If SPOUT (10) leaks at swivel point the O-RINGS (9) need to be replaced. To remove SPOUT (10):**

- Loosen the SPOUT SET SCREW (8) with a 3mm Hex wrench. (Supplied)
- Rotate the SPOUT (10) side to side while pulling upward to remove SPOUT (10) from faucet body.
- Replace the defective parts and grease O-RINGS (9) with plumber's grease. Push SPOUT (10) back into position. Tighten SET SCREW (8).
- Check that SPOUT (10) rotates freely and does not leak at the swivel point.
- AERATOR (11) and HOSE FILTER SCREENS (12) may accumulate debris causing distorted or reduced water flow. Remove AERATOR (11) and/or water supplies and rinse clean.

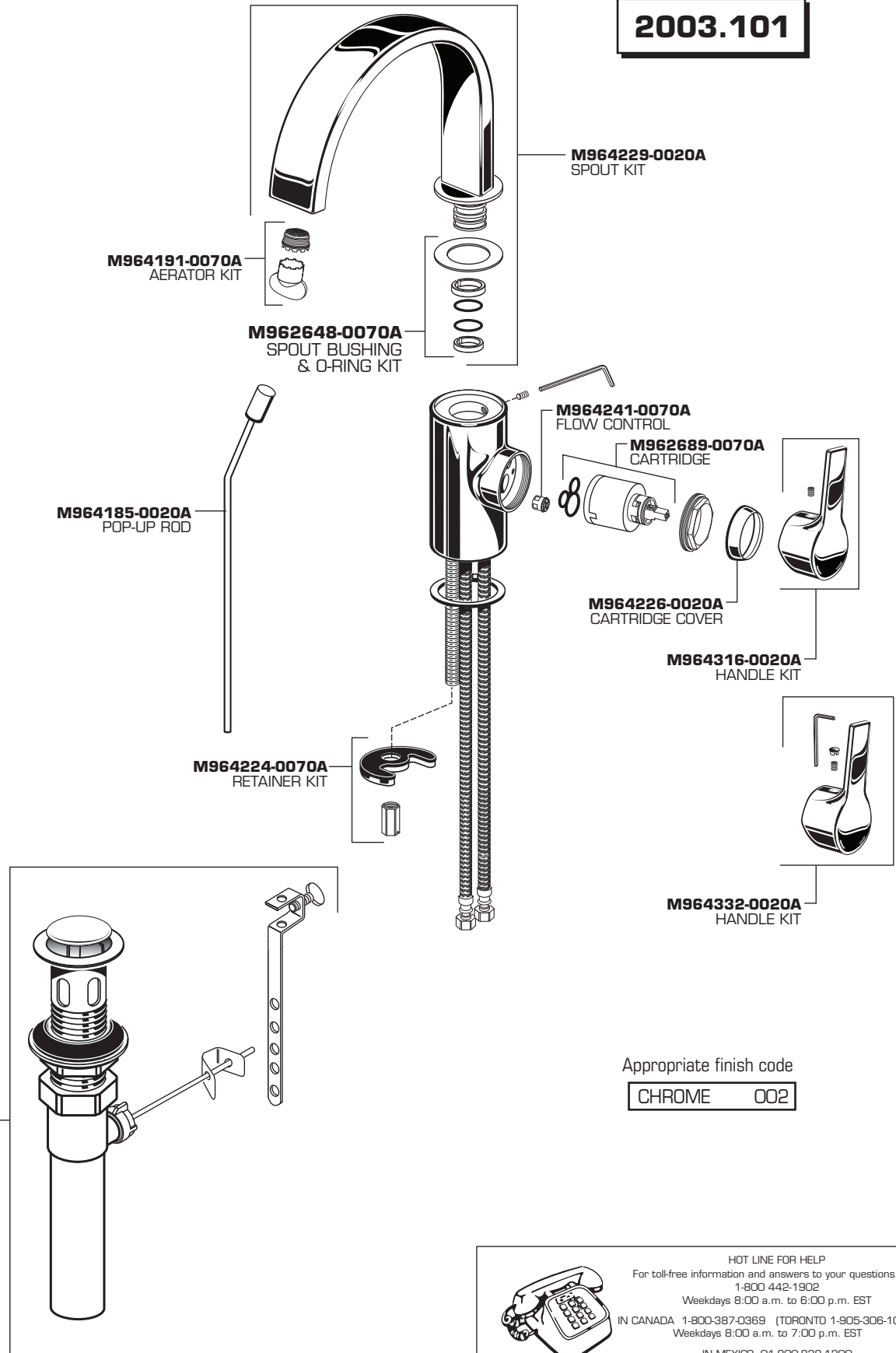


American Standard

FERN™ Monoblock Bathroom Sink Faucet with Conventional Pop-up Drain

MODEL NUMBER

2003.101



Appropriate finish code

CHROME 002



HOT LINE FOR HELP

For toll-free information and answers to your questions, call:
1-800 442-1902

Weekdays 8:00 a.m. to 6:00 p.m. EST

IN CANADA 1-800-387-0369 (TORONTO 1-905-306-1093)

Weekdays 8:00 a.m. to 7:00 p.m. EST

IN MEXICO 01-800-839-1200

Product names listed herein are trademarks of American Standard Inc.
© AS America, Inc. 2012