

## SPECIFICATIONS

### DESCRIPTION

- 4 functions

### FLOW

- 7.6 L/min (2 gpm) (80psi) max / 5.7 L/min (1.5 gpm) (45 psi) min
- 5.7L/min (1.5 gpm) (80psi) max / 4.2 L/min (1.1gpm) (45 psi) min [4363-15]
- 6.8L/min (1.8 gpm) (80psi) max / 5.1 L/min (1.3 gpm) (45 psi) min [4363-WS]

### STANDARDS

- ASME A112.18.1 / CSA B125.1
- ADA

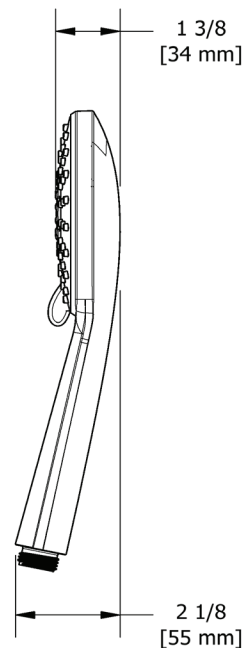
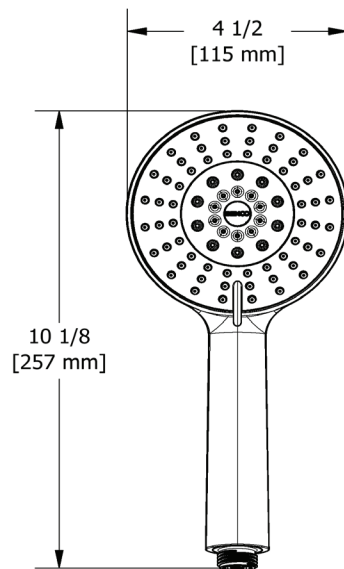
### WARRANTY

- Most products or parts carry "Limited Warranties" against manufacturing defects. For US customers please visit [houseofrohl.com/support](http://houseofrohl.com/support) and for Canadian customers please visit [houseofrohl.ca/support](http://houseofrohl.ca/support) for complete product and finish warranty.



5" 4-Function Handshower

**MODELS:** 4363



**For warranty or additional information, contact:**

**US Customers**

U.S.A.  
[houseofrohl.com/support](http://houseofrohl.com/support)  
 1-800-777-9762

QUEBEC / MARITIMES / WESTERN CANADA  
 QUÉBEC / MARITIMES / OUEST CANADIEN  
 QUEBEC / MARITIMOS / CANADA OCCIDENTAL  
[houseofrohl.ca/support](http://houseofrohl.ca/support)  
 1-866-473-8442

**Canadian Customers**

ONTARIO  
[houseofrohl.ca/support](http://houseofrohl.ca/support)  
 1-800-287-5354

## SPÉCIFICATIONS

### DESCRIPTION

- 4 fonctions

### DÉBITS DISPONIBLES

- 7.6 L/min (2 gpm) (80psi) max / 5.7 L/min (1.5 gpm) (45 psi) min
- 5.7L/min (1.5 gpm) (80psi) max / 4.2 L/min (1.1gpm) (45 psi) min (4363-15)
- 6.8L/min (1.8 gpm) (80psi) max / 5.1 L/min (1.3 gpm) (45 psi) min (4363-WS)

### CERTIFICATIONS

- ASME A112.18.1 / CSA B125.1
- ADA

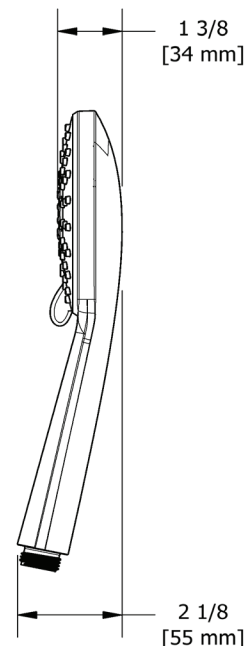
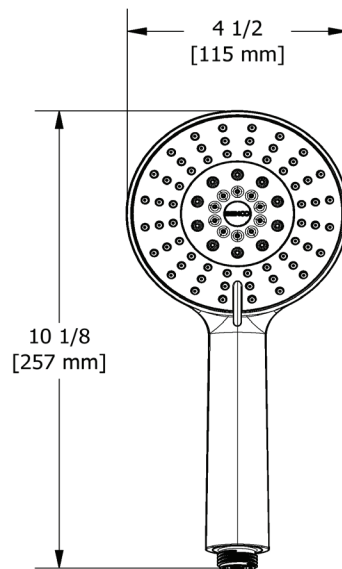
### GARANTIE

- La plupart des produits ou pièces comprend des «garanties limitées» contre les défauts de fabrication. Pour les clients des États-Unis: veuillez consulter [houseofrohl.com/support](http://houseofrohl.com/support); Pour les clients du Canada : veuillez consulter [houseofrohl.ca/support](http://houseofrohl.ca/support) pour connaître les conditions complètes de la garantie des produits et finis.



Douchette 3 jets avec pause

**MODÈLES :** 4363



**For warranty or additional information, contact:**

#### US Customers

U.S.A.  
[houseofrohl.com/support](http://houseofrohl.com/support)  
1-800-777-9762

QUEBEC / MARITIMES / WESTERN CANADA  
QUÉBEC / MARITIMES / OUEST CANADIEN  
QUEBEC / MARITIMOS / CANADA OCCIDENTAL  
[houseofrohl.ca/support](http://houseofrohl.ca/support)  
1-866-473-8442

#### Canadian Customers

ONTARIO  
[houseofrohl.ca/support](http://houseofrohl.ca/support)  
1-800-287-5354

## ESPECIFICACIONES

### DESCRIPCIÓN

- 4 funciones

### FLUJO

- 7.6 L/min (2 gpm) (80psi) max / 5.7 L/min (1.5 gpm) (45 psi) min
- 5.7L/min (1.5 gpm) (80psi) max / 4.2 L/min (1.1gpm) (45 psi) min (4363-15)
- 6.8L/min (1.8 gpm) (80psi) max / 5.1 L/min (1.3 gpm) (45 psi) min (4363-WS)

### ESTÁNDARES

- ASME A112.18.1 / CSA B125.1
- ADA

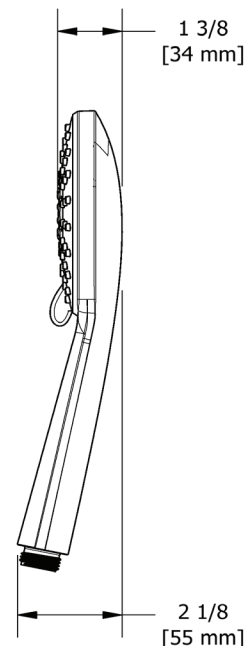
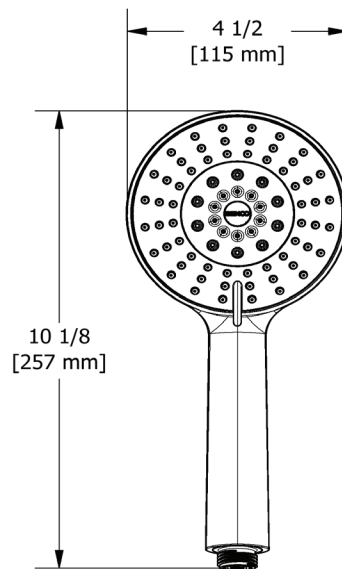
### GARANTÍA

- La mayoría de los productos o piezas cuentan con "Garantías Limitadas" por defectos de fabricación. A los clientes en EE. UU. se les recomienda visitar [houseofrohl.com/support](http://houseofrohl.com/support) y a los clientes en Canadá, [houseofrohl.ca/support](http://houseofrohl.ca/support), para consultar las condiciones completas de la garantía de los productos y acabados.



Ducha de mano de 4 chorros con pausa

**MODELOS:** 4363



**For warranty or additional information, contact:**

#### US Customers

U.S.A.  
[houseofrohl.com/support](http://houseofrohl.com/support)  
1-800-777-9762

QUEBEC / MARITIMES / WESTERN CANADA  
QUÉBEC / MARITIMES / OUEST CANADIEN  
QUEBEC / MARITIMOS / CANADA OCCIDENTAL  
[houseofrohl.ca/support](http://houseofrohl.ca/support)  
1-866-473-8442

#### Canadian Customers

ONTARIO  
[houseofrohl.ca/support](http://houseofrohl.ca/support)  
1-800-287-5354