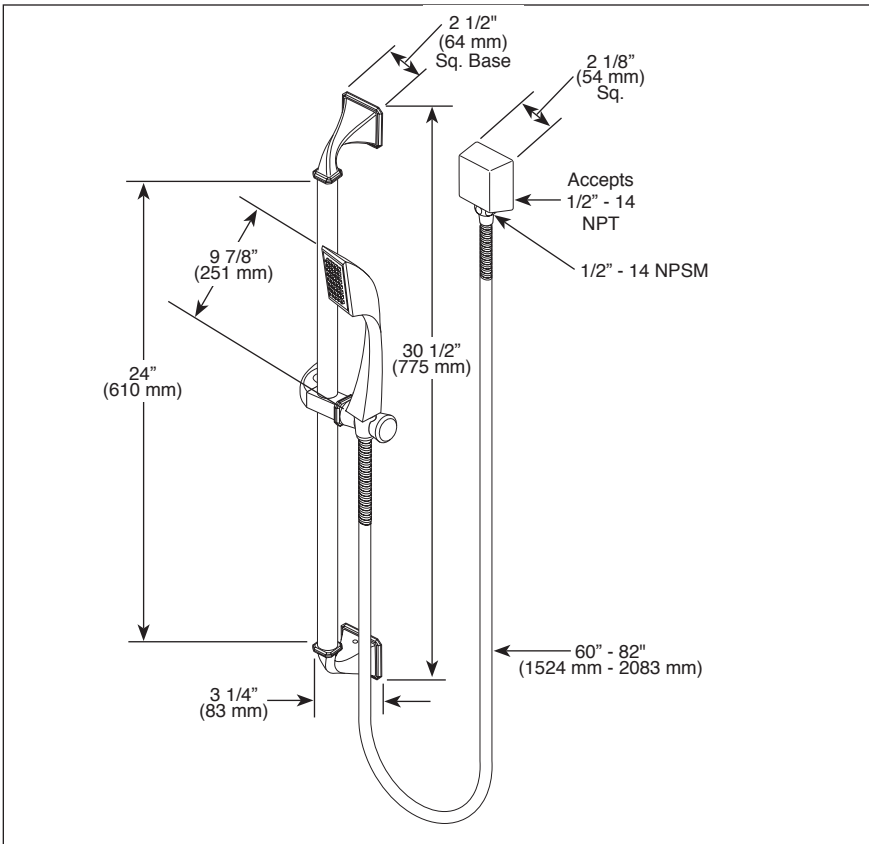


85730▲

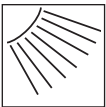
Submitted Model No.: \_\_\_\_\_

Specific Features: \_\_\_\_\_



▲ Designate proper finish suffix

**Spray Pattern**



Full Spray

# BRIZO® HAND SHOWER W/SLIDE BAR

- Virage® Bath Collection
- Hand Shower with Full Spray Pattern and Touch Clean Nubs
- Certified Dual Check Valves
- 24" Wall Bar with Adjustable Height and Angle
- Wall Mounted Elbow Included

**STANDARD SPECIFICATIONS:**

- Maximum 1.75 gpm @ 80 psi, 6.6 L/min @ 550 kPa
- Hand shower with full spray pattern and touch clean nubs
- Certified dual check valves
- 24" (610 mm) wall bar with adjustable slide (allows for adjustable shower height). Not to be used as a Grab Bar. Not ADA compliant.
- 60" - 82" (1524 mm - 2083 mm) stretchable finished metal hose
- 27 15/16" (710 mm) center to center mounting

**WARRANTY**

- Lifetime limited warranty on parts (other than electronic parts and batteries) and finishes: or, for commercial users, for 5 years from date of purchase.
- 5 year limited warranty on electronic parts (other than batteries); or, for commercial users, for 1 year from the date of purchase. No warranty is provided on batteries.



**COMPLIES WITH:**

- ASME A112.18.1 / CSA B125.1
- EPA WaterSense®

Brizo Kitchen & Bath Company reserves the right (1) to make changes in specifications and materials, and (2) to change or discontinue models, both without notice or obligation. Dimensions are for reference only. See current full-line price book or [www.brizo.com](http://www.brizo.com) for finish options and product availability.