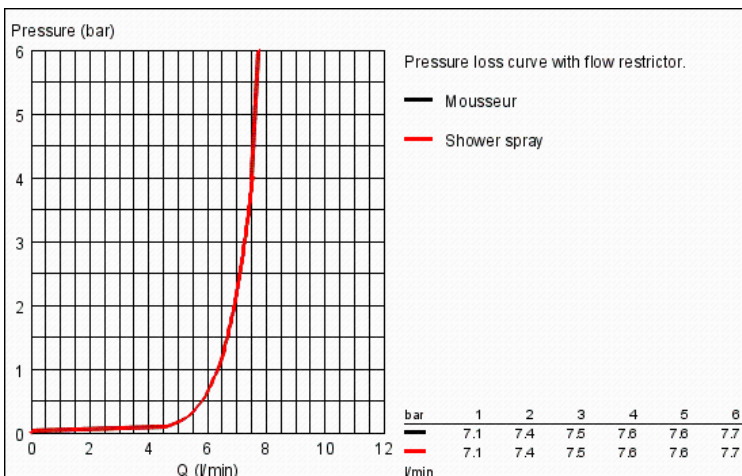
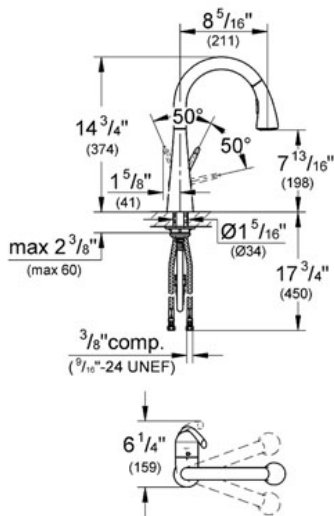


LADYLUX  
Single-lever sink mixer 1/2"  
MODEL # 32298

GROHE CANADA, INC. | 5900 Avebury Road, Mississauga, Ontario, Canada L5R 3M3  
Phone: 905-271-2929 | Fax: 905-271-9494 | info@grohe.ca

Pure Freude  
an Wasser



ADA

**Product Description:**  
Single-lever sink mixer 1/2"

**Standard Specification:**

- GROHE SilkMove® ceramic cartridge
- GROHE SuperSteel Infinity Finish™
- GROHE RealSteel® Stainless Steel Construction produced from 304 stainless steel
- Single hole installation
- Swivel Spout
- Swivel area 360°
- Adjustable flow rate limiter
- **Pull-out Dual Spray Control - switches back and forth between regular flow and spray**
- Automatic returning
- Integrated non-return valve
- Locking diverter: aerator/SpeedClean shower jet
- Automatic return to aerator
- Flexible hose connections
- Quick installation system
- **Protected against backflow**
- **SpeedClean** anti-lime system
- Projection 8 5/16"
- Forward rotation lever, does not hit backsplash
- Max Flow Rate 1.75 gpm (6.6 L/min)

**Applicable Codes & Standards:**

- Energy Policy Act of 1992
- NSF 61
- ASME A112.18.1/CSA B125.1
- US Federal and State material regulations
- ICC/ANSI A117.1

**Color:**

- 32298 000 chrome
- 32298 00E chrome
- 32298 001 chrome
- 32298 DC0 supersteel
- 32298 SDE stainless steel
- 32298 DC1 supersteel
- 32298 KD0 Stainless Steel/Soft Black

*Pure Freude  
an Wasser*



GROHE CANADA, INC. | 5900 Avebury Road, Mississauga, Ontario, Canada L5R 3M3  
Phone: 905-271-2929 | Fax: 905-271-9494 | info@grohe.ca

- 32298 DCE supersteel
- 32298 SD1 Stainless Steel
- 32298 SD0 GROHE

RealSteel®