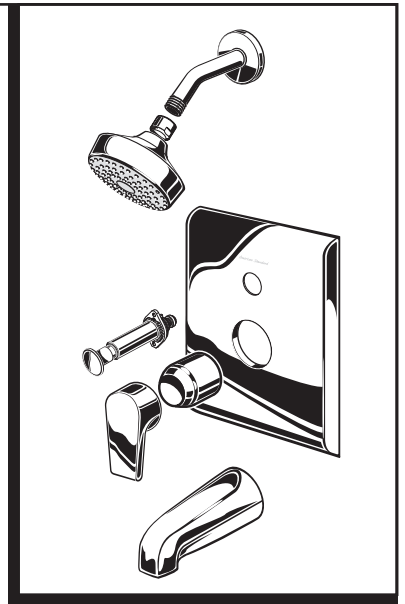


## STUDIO BATH/SHOWER TRIM KIT WITH BUILT-IN DIVERTER

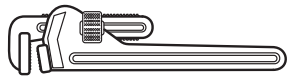
Thank you for selecting American Standard...the benchmark of fine quality for over 100 years.

To ensure that your installation proceeds smoothly—please read these instructions carefully before you begin.

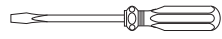


Certified to comply with ANSI A112.18.1  
M968629

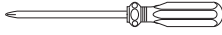
### Recommended Tools



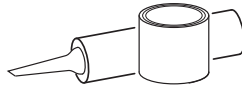
Pipe Wrench



Flat Blade Screwdriver



Phillips Screwdriver



Plumbers' Putty or Caulking



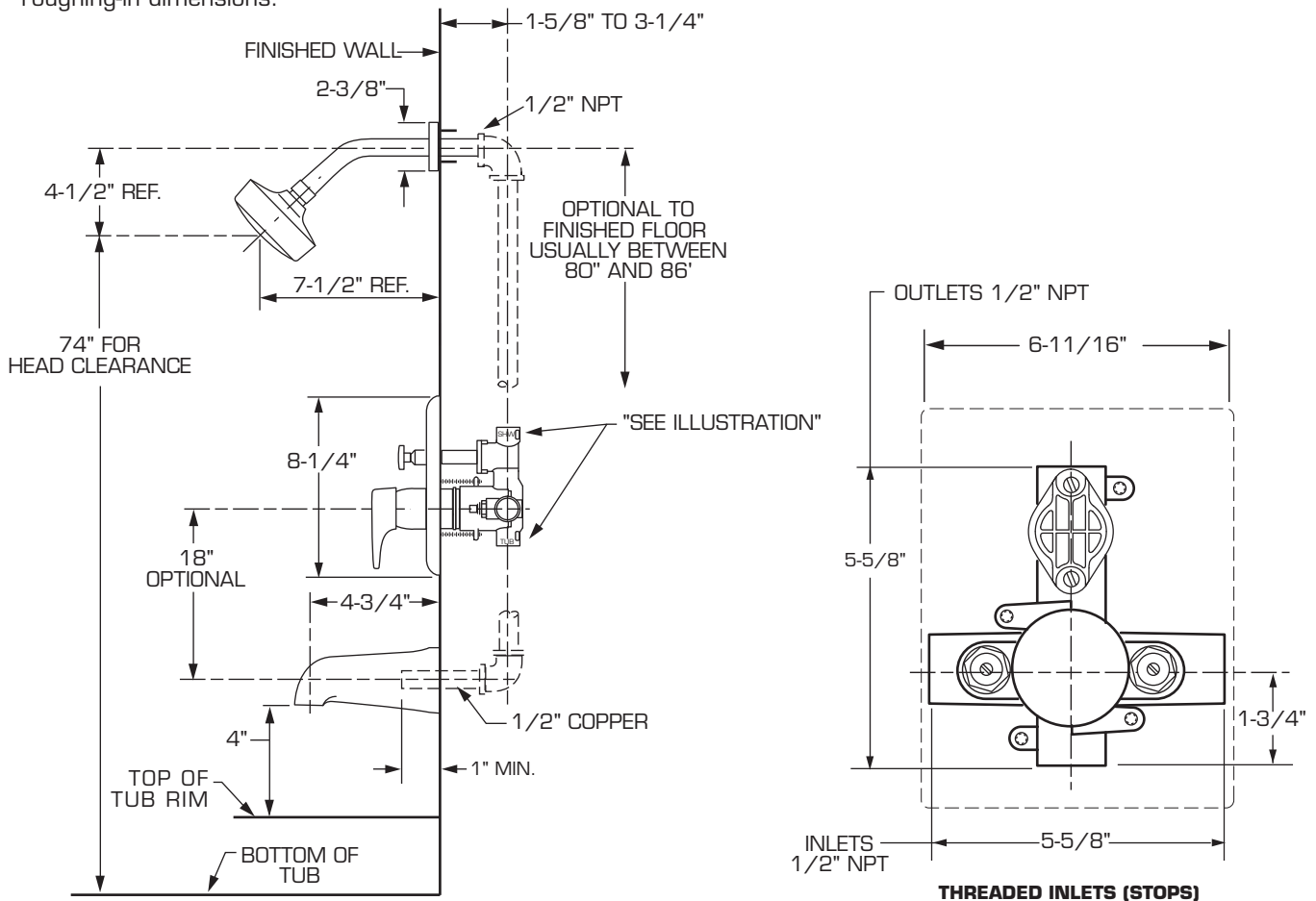
Adjustable Wrench



Channel Locks

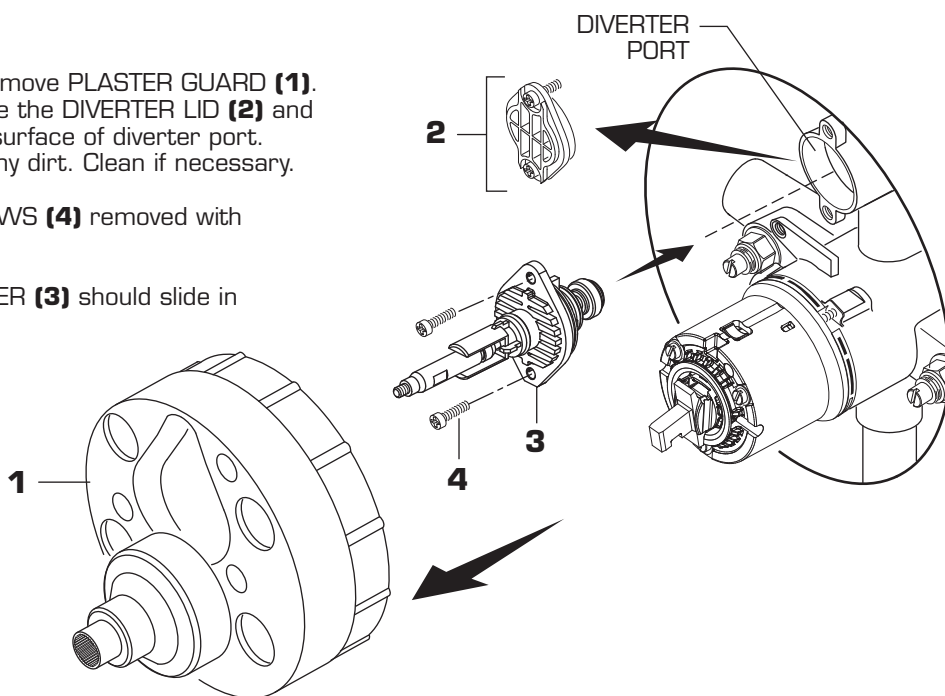
### ROUGHING-IN DIMENSIONS

- To assure proper positioning in relation to wall, note roughing-in dimensions.



# 1 INSTALL DIVERTER

- When finished tiling the wall, remove PLASTER GUARD (1). Remove two screws that secure the DIVERTER LID (2) and remove Lid. Inspect the inside surface of diverter port. Diverter port must be free of any dirt. Clean if necessary.
- Install DIVERTER (3) with SCREWS (4) removed with DIVERTER LID (2).
- Operate DIVERTER (3). DIVERTER (3) should slide in and out smoothly.



# 2 INSTALL VALVE TRIM

- **Figure 1.** Push CAP (1) over VALVE CARTRIDGE (2) until seated against stop. Push CAP (3) over DIVERTER (4) until seated against stop.
- **Figure 2.** Make sure O-RINGS (10 & 11) are secure within ESCUTCHEON HOLDER (5). Push ESCUTCHEON HOLDER (5) onto CAP (1) and attach to valve body with SCREWS (6). Mount ESCUTCHEON SUPPORT (7) to ESCUTCHEON HOLDER (5) with SCREWS (8).
- **Figure 3.** Install ESCUTCHEON (9) onto CAP (1) and push flush against finished wall. Escutcheon (9) will snap fit onto ESCUTCHEON SUPPORT (7).

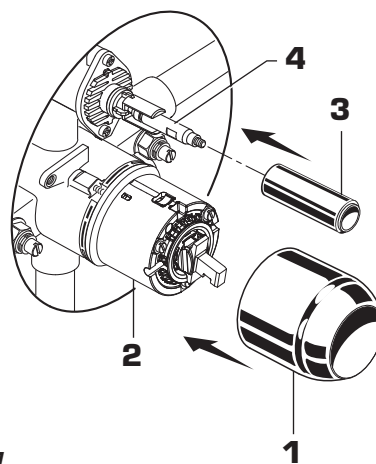


Figure 1.

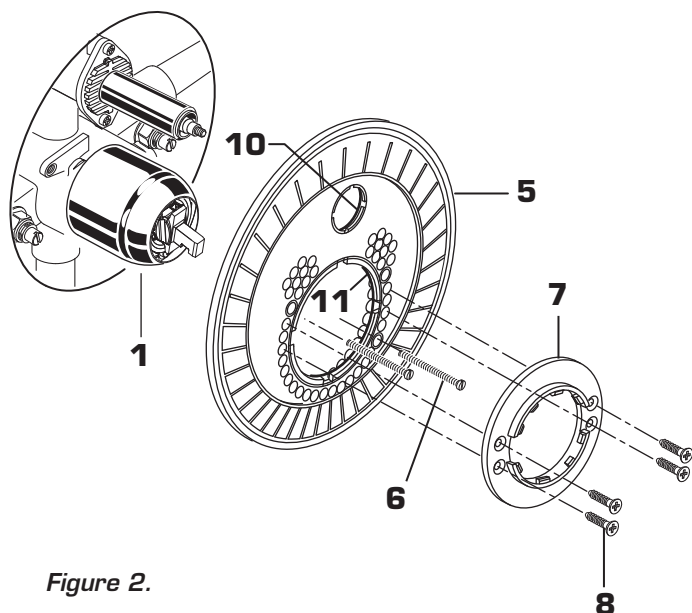


Figure 2.

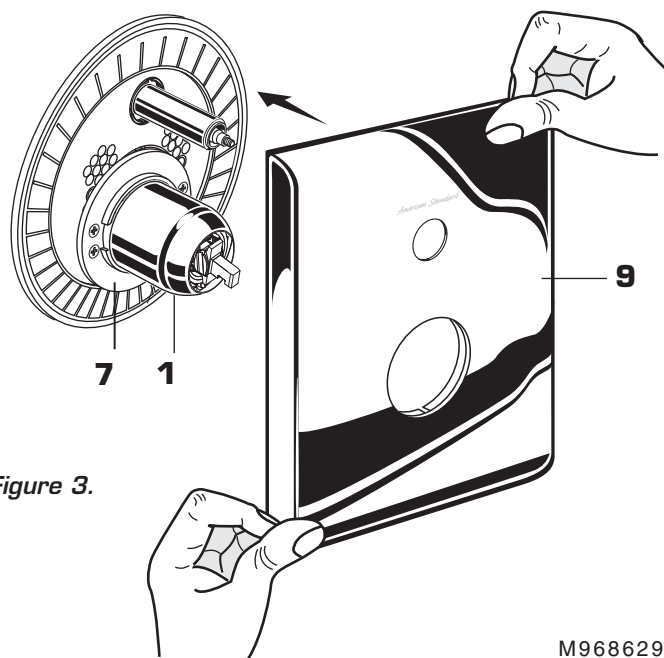


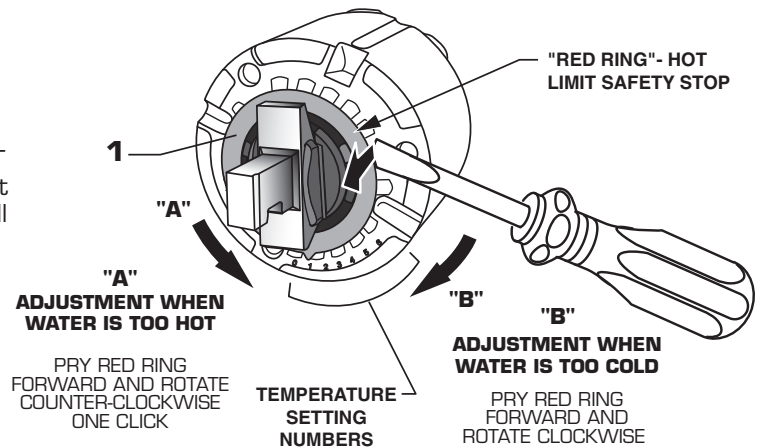
Figure 3.

### 3 ADJUST HOT LIMIT STOP

#### HOT LIMIT SAFETY STOP ADJUSTMENT

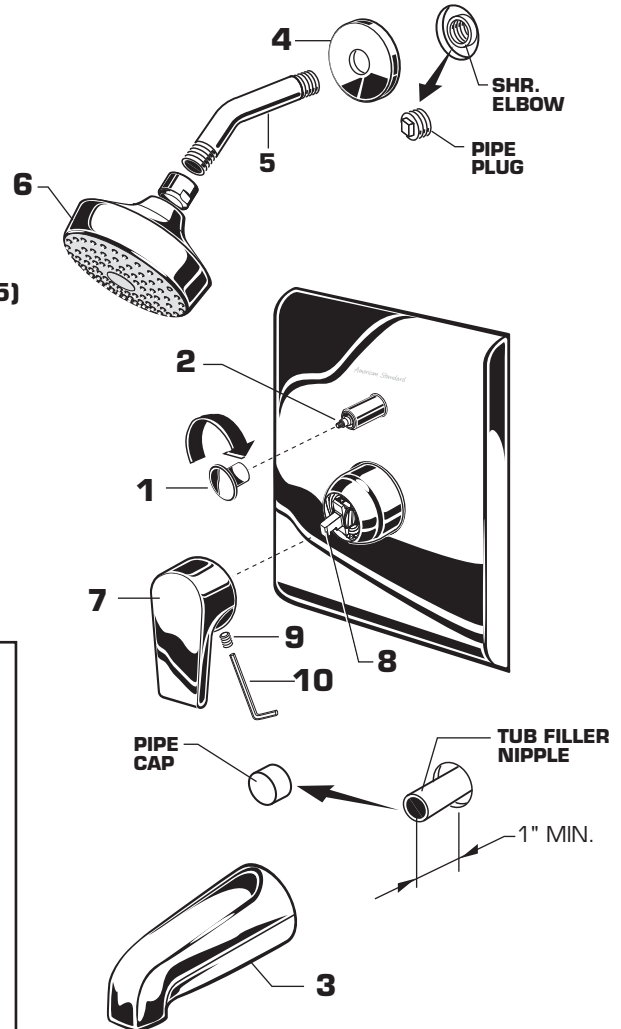
By restricting handle rotation and limiting the amount of hot water allowed to mix with the cold, the HOT LIMIT SAFETY STOP reduces risk of accidental scalding. To set the maximum hot water temperature of your faucets, all you need to do is adjust the setting on the HOT LIMIT SAFETY STOP.

- Use a flat blade screwdriver or your fingers to pull up and rotate red HOT LIMIT SAFETY STOP (1). Follow Step "A" or "B" to adjust min./max. discharge temperature. "0" being the hottest to "7" the coldest temperature setting. Factory set at "0".



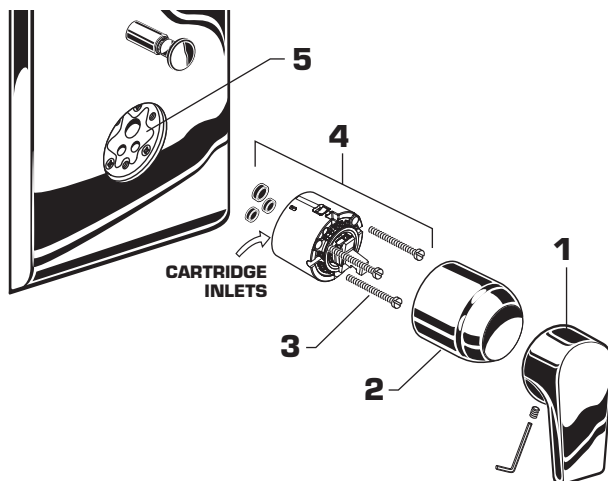
### 4 INSTALL DIVERTER KNOB, TUB SPOUT, SHOWER HEAD, SHOWER ARM WITH FLANGE AND HANDLE

- Thread DIVERTER KNOB (1) onto DIVERTER STEM (2).
- Remove pipe cap and plug from shower and tub rough piping.
- Install TUB SPOUT (3) onto tub nipple. **CAUTION: Protect finish on TUB SPOUT when installing.**
- Install SHOWER ESCUTCHEON (4) onto SHOWER ARM (5). Apply sealant or Teflon tape to threads on both ends of SHOWER ARM (5) and thread longer leg of SHOWER ARM (5) into shower elbow.
- Thread SHOWER HEAD (6) onto SHOWER ARM (5). **CAUTION: Protect finish on SHOWER HEAD and ARM when installing.**
- Install HANDLE (7) onto CARTRIDGE STEM (8). Tighten SET SCREW (9) with HEX WRENCH (10) supplied.



### 5 SERVICE

- If faucet drips, operate handle several times from "off" to "on". Do not apply excessive force.
- Clogged CARTRIDGE (4) inlets may cause reduced flow in "full on" hot or cold. To clean inlets, first turn off water supply, then:
  - Remove HANDLE (1), CAP (2) and CARTRIDGE (4).
  - Clean inlets and MANIFOLD (5).
  - Reassemble CARTRIDGE (4), alternately tightening SCREWS (3). Replace CAP (2) and HANDLE (1). Check flow.



#### CARE INSTRUCTIONS:

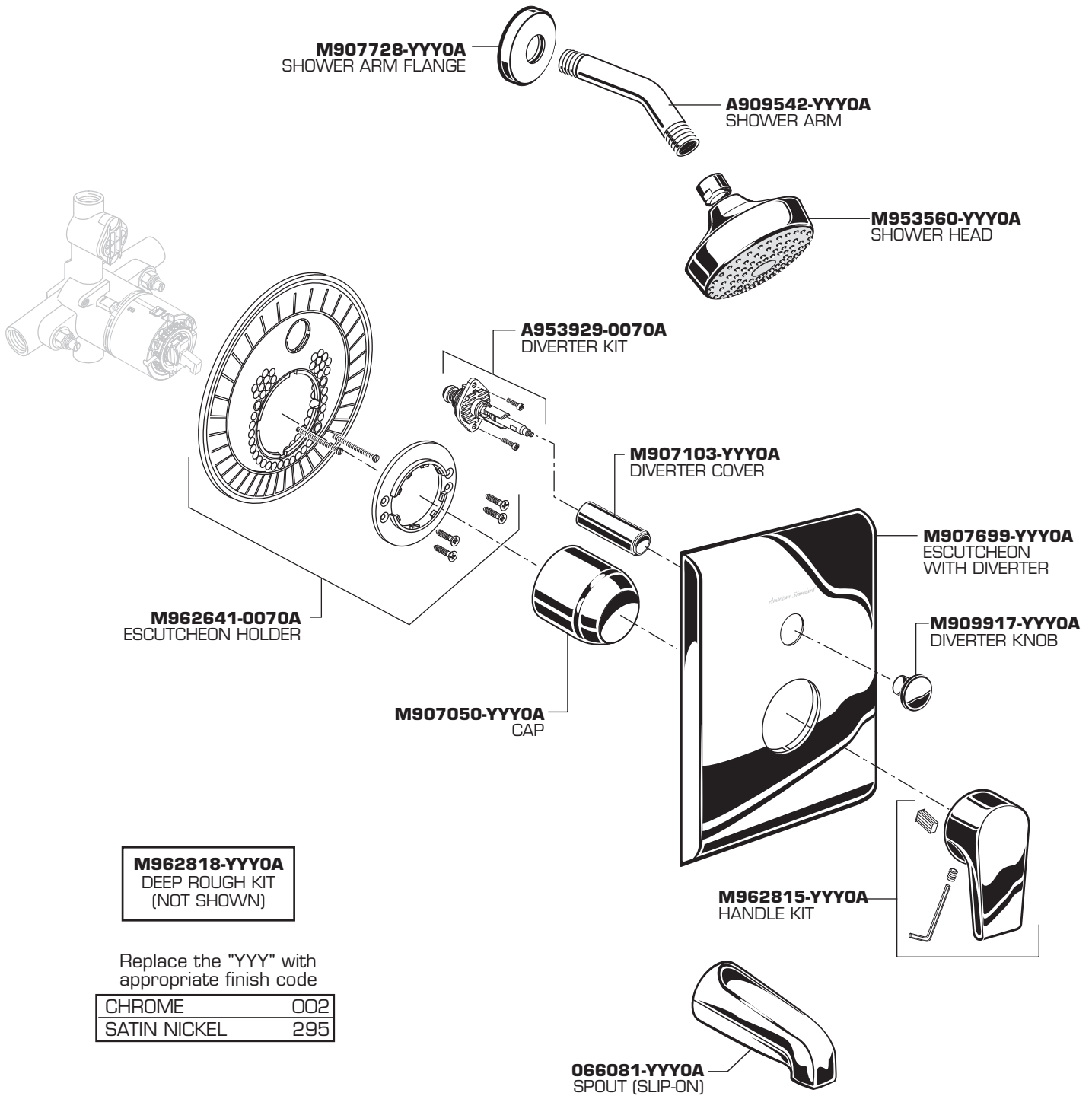
**DO: SIMPLY RINSE THE PRODUCT CLEAN WITH CLEAR WATER. DRY WITH A SOFT COTTON FLANNEL CLOTH.**

**DO NOT: DO NOT CLEAN THE PRODUCT WITH SOAPS, ACID, POLISH, ABRASIVES, HARSH CLEANERS, OR A CLOTH WITH A COARSE SURFACE.**

# American Standard

## STUDIO BATH/SHOWER TRIM KIT WITH BUILT-IN DIVERTER MODEL NUMBER

# T509.60X



Replace the "YYY" with appropriate finish code

|              |     |
|--------------|-----|
| CHROME       | 002 |
| SATIN NICKEL | 295 |



**HOT LINE FOR HELP**  
For toll-free information and answers to your questions, call:  
1 (800) 442-1902  
Weekdays 8:00 a.m. to 6:00 p.m. EST  
IN MEXICO 01-800-839-12-00  
IN CANADA 1-800-387-0369 (TORONTO 1-905-306-1093)  
Weekdays 8:00 a.m. to 7:00 p.m. EST

Product names listed herein are trademarks of American Standard Inc.  
© AS America, Inc. 2009

M968629