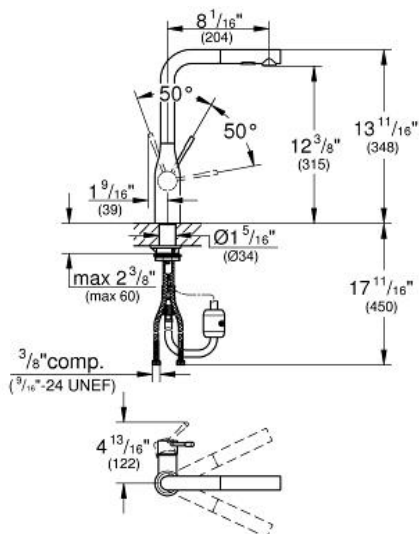


ESSENCE  
Single-Handle Kitchen Faucet  
MODEL # 30271000

Pure Freude an Wasser



GROHE America, Inc | 200 North Gary Avenue, Suite G, Roselle, IL 60172  
Phone: +1 (800) 444-7643 | Fax: +1 (800) 225-2778 | us-customerservice@grohe.com



**Product Description:**  
Single-Handle Kitchen Faucet

**Standard Specification:**

- High spout
- Single hole installation
- **GROHE StarLight** finish
- **GROHE SilkMove** 28 mm ceramic cartridge
- flow strainer
- **Pull-out Dual Spray Control** - switches back and forth between regular flow and spray
- Diverter: laminar spray/SpeedClean shower jet
- Automatic return to laminar spray
- Swivel Spout
- Swivel area 360°
- Integrated non-return valve
- Protected against backflow
- Stainless steel flex lines
- Quick installation system
- Min. recommended pressure: 15 psi

**Applicable Codes & Standards:**

- Energy Policy Act of 1992
- NSF 61
- ASME A112.18.1/CSA B125.1
- US Federal and State material regulations

**Color:**

- 30271000 StarLight Chrome