


Features

- Adapted to residences for seniors 
- Safe valve with temperature limit at 43°C
- Solid brass construction
- Two male water inlets 1/2 XPEX
- Male water outlet 1/2 XPEX
- Male water outlets 3/4 XPEX or 1/2 welded
- Total adjustment of 25 mm (1")
- Integrated service stops with check valve
- Support for better stability during installation included
- Equipped with a test-cap



Certifications

The specified model meets or exceeds the following standards:



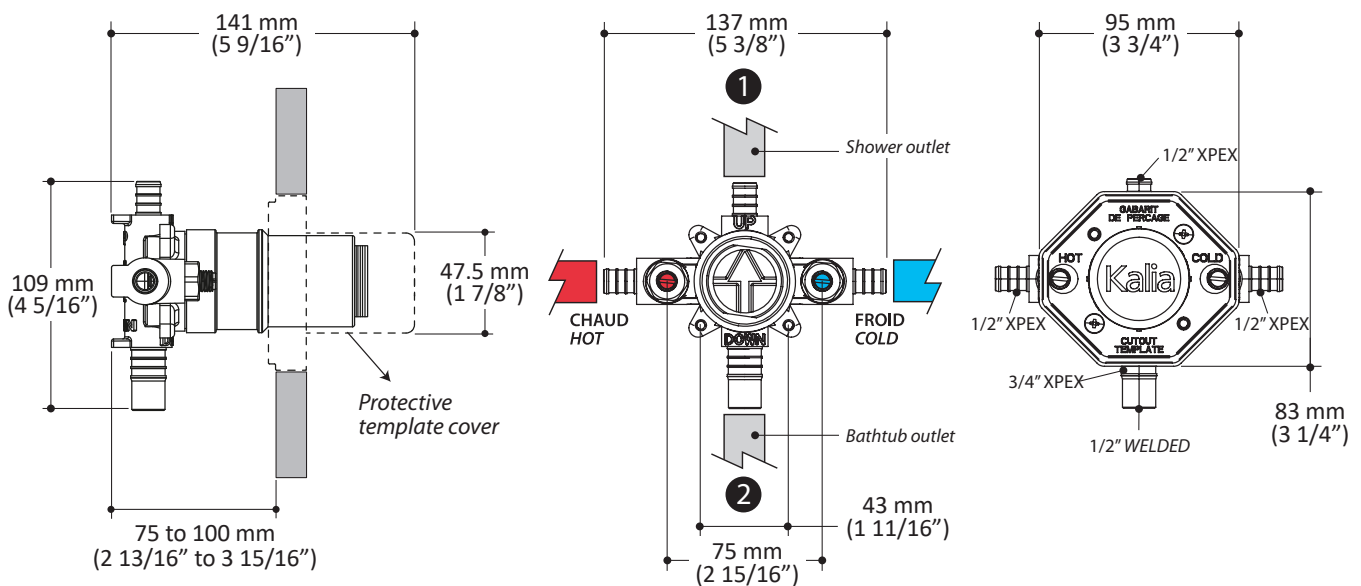
Installation Notes

This product must be installed following the installation instructions provided.

WARRANTY

Kalia Inc. guarantees all aspects of its products to be free of defects in material and workmanship for normal residential use. **Refer to the warranty included with the Kalia products for details.**

Product dimensions:



Important: Dimensions are approximated and are subject to changes. Please refer to the installation instructions.