

American Standard

Installation
Instructions
4433.100

QUINCE™
SINGLE CONTROL
KITCHEN PULL-OUT FAUCET

Thank you for selecting American-Standard...
the benchmark of fine quality for over 100 years.

To ensure that your installation proceeds smoothly—
please read these instructions carefully before you begin.

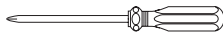


Certified to comply with ANSI A112.18.1M
M965114

RECOMMENDED TOOLS



Regular Screwdriver



Phillips Screwdriver



Adjustable Wrench

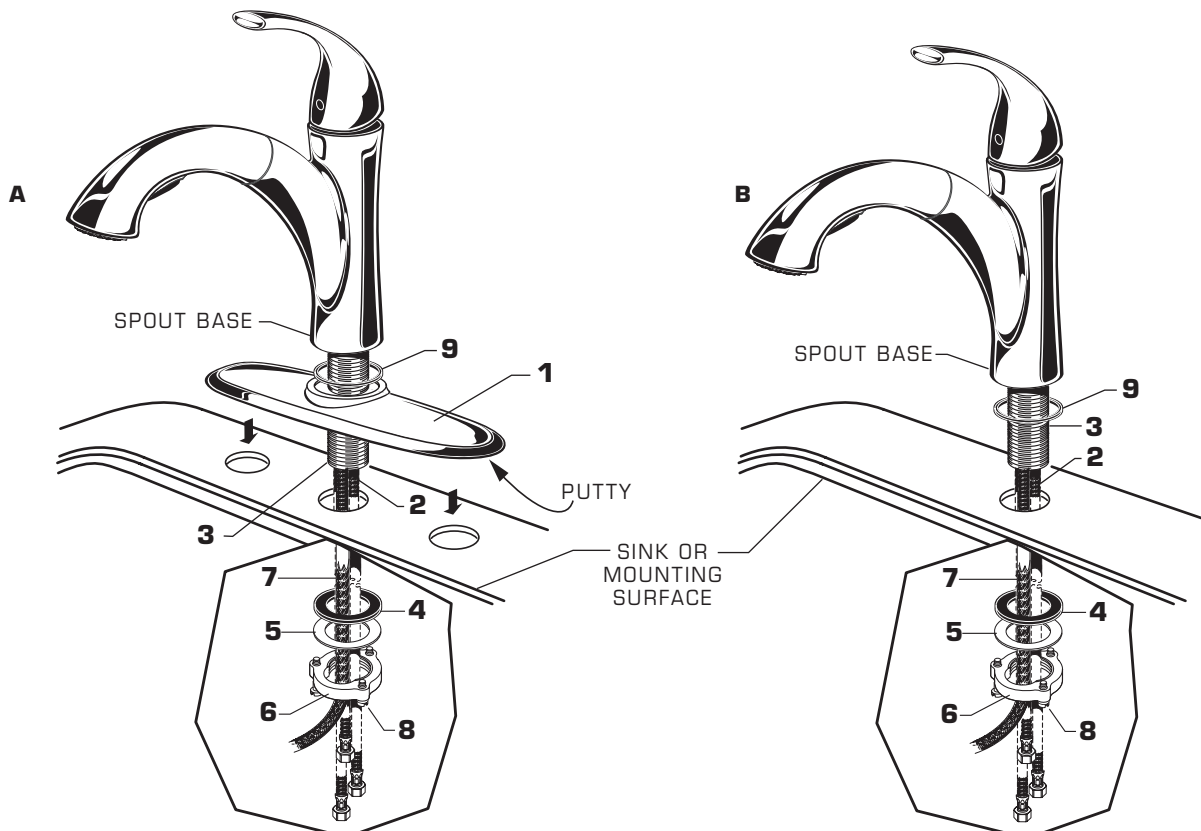


Plumbers' Putty or Caulking

1 INSTALL FAUCET WITH OR WITHOUT DECK ESCUTCHEON

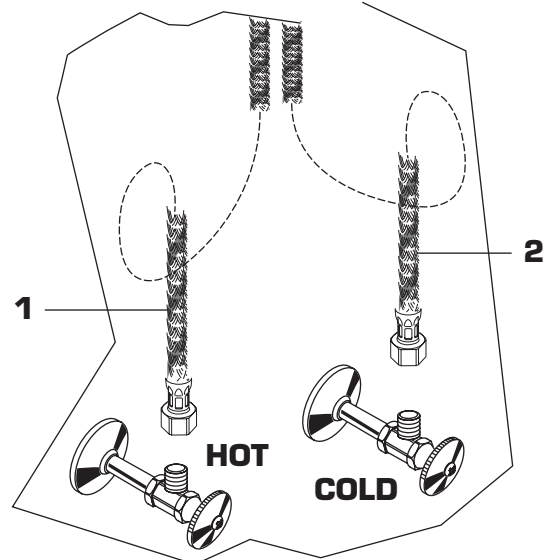
CAUTION Turn off water at main supply.

- Make certain the SEAL (9) is properly seated in recess of spout base.
- **(A) Installation with ESCUTCHEON (1).** Apply a bead of putty to bottom edge of ESCUTCHEON with PUTTY PLATE (1). Insert SUPPLY HOSES (2), SPRAY HOSE (7) and SHANK (3) through hole of ESCUTCHEON with PUTTY PLATE (1) and mounting surface. Follow mounting instructions below to secure faucet to mounting surface.
- **(B) Installation less ESCUTCHEON (1).** Discard ESCUTCHEON with PUTTY PLATE (1). Insert supply HOSES (2), SPRAY HOSE (7) and SHANK (3) through mounting hole and seat SPOUT BASE onto sink or mounting surface. Do not use putty.
- Insert HOSES (2) through RUBBER WASHER (4), BRASS WASHER (5), and threaded LOCKNUT (6).
- Assemble RUBBER WASHER (4), BRASS WASHER (5), and threaded LOCKNUT (6) onto SHANK (3) from underside of sink or mounting surface. Hand tighten LOCKNUT (6).
- Use a screwdriver to tighten SCREWS (8) on LOCKNUT (6). Work your way around LOCKNUT (6), tightening the screws slightly each time until all are snug to ensure even pressure.



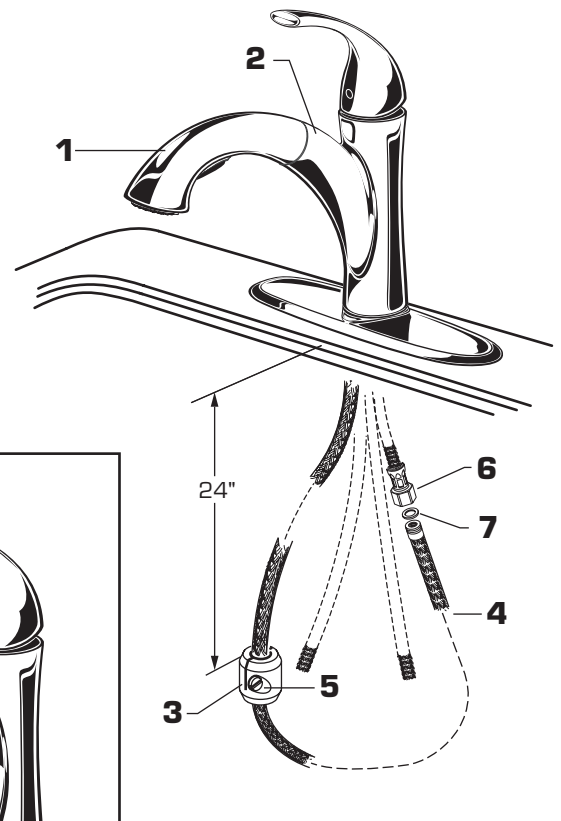
2 MAKE WATER SUPPLY CONNECTIONS

- Turn off hot and cold water supplies before beginning.
- Connect FLEXIBLE SUPPLIES (1, 2) directly to wall supplies. Connection on fitting supplies are 3/8" compression. Connect left supply (Marked with a Red Stripe) to Hot and right supply (Marked with Blue Stripe) to Cold wall supply. Use adjustable wrench to tighten connections. Do not over tighten.
- Faucet supplies are 21" long from faucet base.
- *Note: If additional supply length is required, installer must purchase additional parts separately.*
- *Important: If SUPPLY HOSES (1, 2) are too long, loop as illustrated to avoid kinking.*



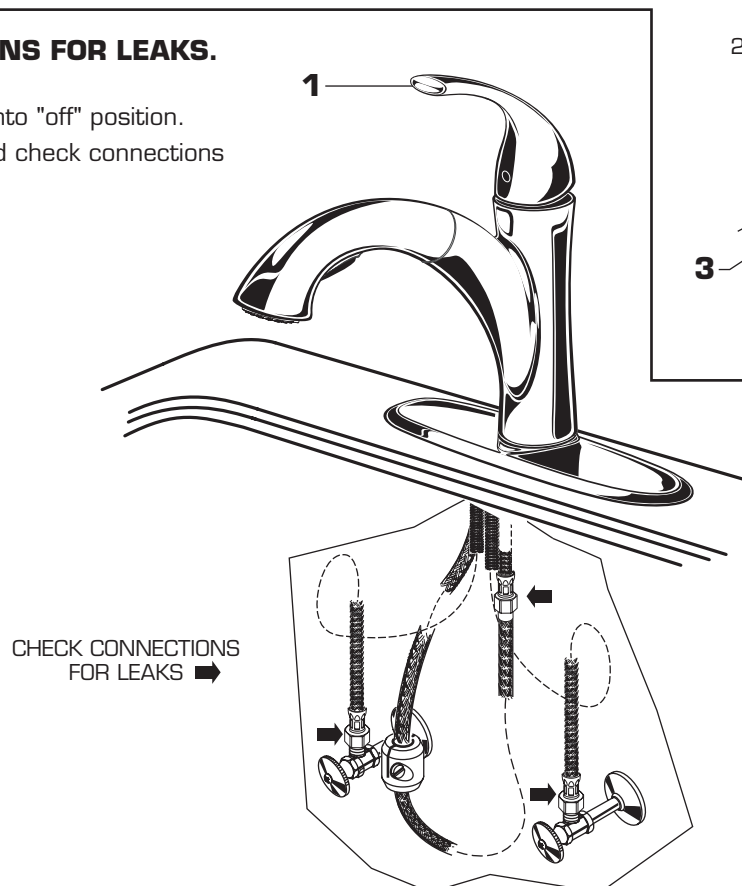
3 CONNECT SPRAY HOSE AND INSTALL WEIGHTS

- With PULL-OUT SPRAY (1) seated in FAUCET (2), install WEIGHTS (3) onto HOSE (4) using two SCREWS (5). Locate the WEIGHTS (3) two feet (2') from the underside of the sink deck. Tighten SCREWS (5) firmly.
- Make sure SEAL WASHER (7) is installed in COUPLING NUT (6). Connect threaded end of HOSE (4) to SPRAY HOSE COUPLING NUT (6) from fitting. Use wrench to tighten.



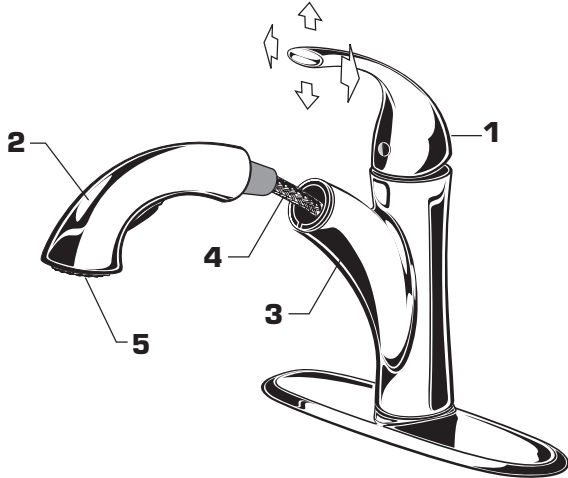
4 CHECK CONNECTIONS FOR LEAKS.

- Move HANDLE (1) down into "off" position.
- Turn on water supplies and check connections for leaks. ➡



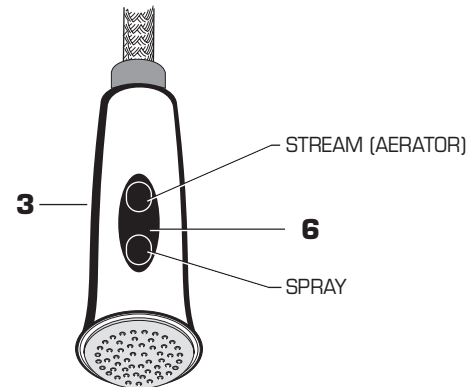
5 TEST INSTALLED FAUCET

- Move HANDLE (1) down into "off" position.
- With HANDLE (1) down in "off" position, pull HAND SPRAY (2) from SPOUT (3). SPRAY (HOSE (4)) should pull approximately 2 feet and direct open SPRAY END (5) into sink.
- Operate handle up and down, in COLD and HOT positions, to flush water lines thoroughly.
- Check HAND SPRAY (2) operation:



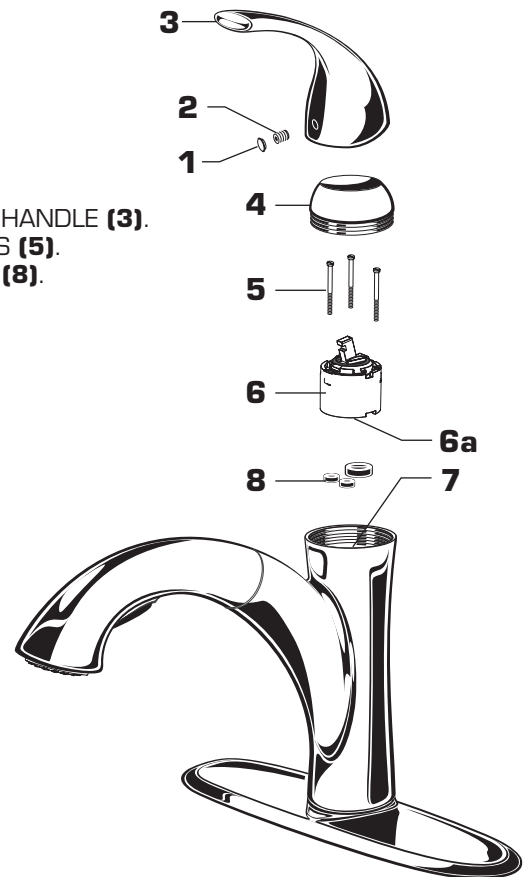
SPRAY OPERATION

- With FAUCET on, press TOGGLE BUTTON (6) on SPRAY (3) to switch from stream to spray.



6 SERVICE

- If faucet drips, operate HANDLE several times from "off" to "on." Do not apply excessive force.
- **Clogged CARTRIDGE outlets or inlets may cause reduced flow.** To clean, first turn off water supply then:
 - Remove INDEX BUTTON (1), loosen HANDLE SCREW (2) and remove HANDLE (3).
 - Unthread ESCUTCHEON CAP (4). Unthread three MOUNTING SCREWS (5).
 - Lift CARTRIDGE (6) off MANIFOLD (7) and remove CARTRIDGE SEALS (8).
 - Clean MANIFOLD (7), CARTRIDGE (6) ports and SEALS (8).
 - Place SEALS (8) into CARTRIDGE PORTS (6a).
 - Place CARTRIDGE (6) onto MANIFOLD (7) and tighten MOUNTING SCREWS (5) alternately.
 - Replace ESCUTCHEON CAP (4), HANDLE (3), tighten HANDLE SCREW (2) and install INDEX BUTTON (1).
- Test fitting.



7 CARE:

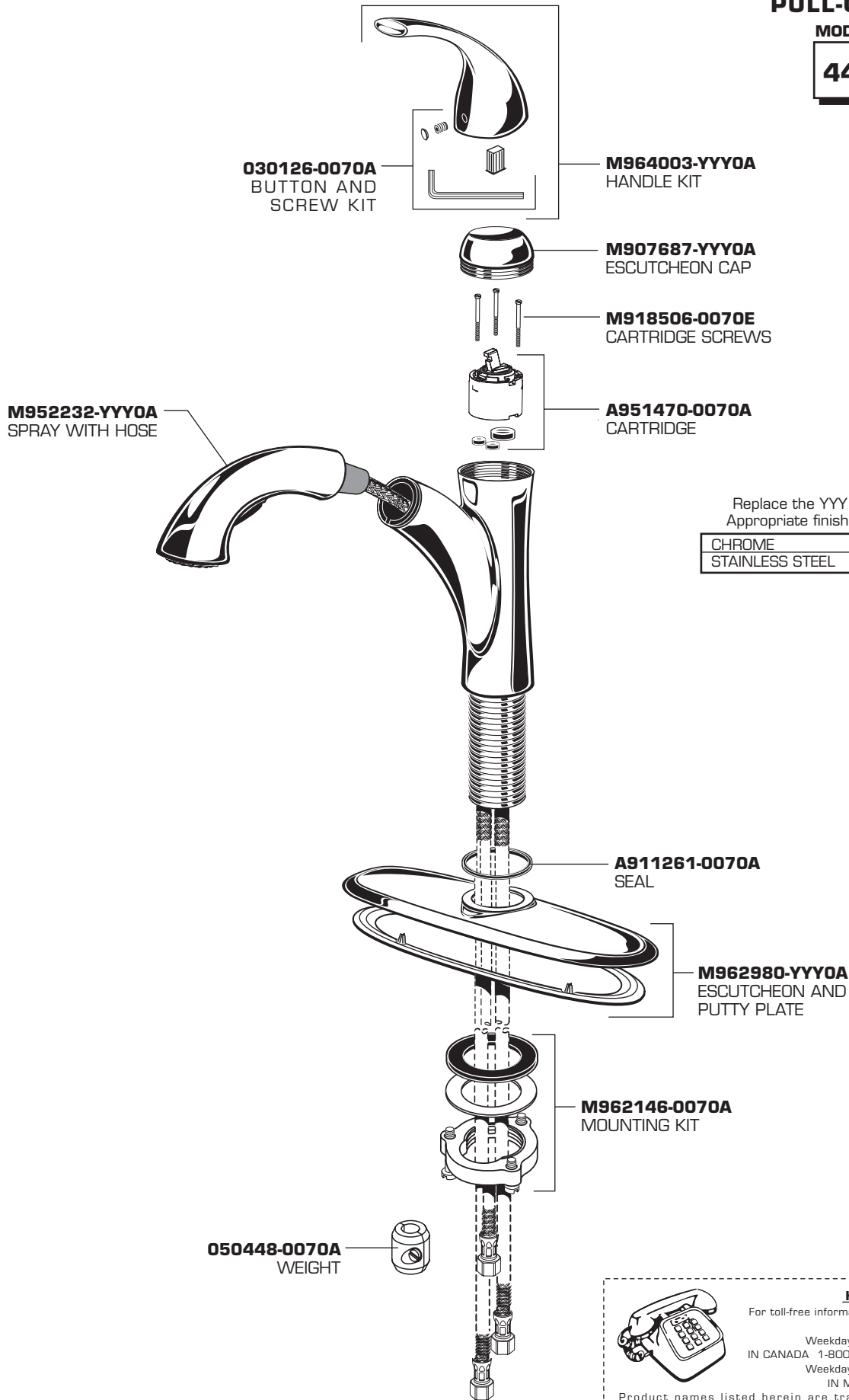
DO: SIMPLY RINSE THE PRODUCT CLEAN WITH CLEAR WATER. DRY WITH A SOFT COTTON FLANNEL CLOTH.
DO NOT: DO NOT CLEAN THE PRODUCT WITH SOAPS, ACID, POLISH, ABRASIVES, HARSH CLEANERS, OR A CLOTH WITH A COARSE SURFACE.

American Standard

QUINCE™
SINGLE CONTROL KITCHEN
PULL-OUT FAUCET

MODEL NUMBERS

4433.100



HOT LINE FOR HELP

For toll-free information and answers to your questions, call:
 1-800-442-1902
 Weekdays 8:00 a.m. to 6:00 p.m. EST
 IN CANADA 1-800-387-0369 (TORONTO 1-905-306-1093)
 Weekdays 8:00 a.m. to 7:00 p.m. EST
 IN MEXICO 01-800-839-1200

Product names listed herein are trademarks of American Standard Inc.
 © AS America, Inc. 2011