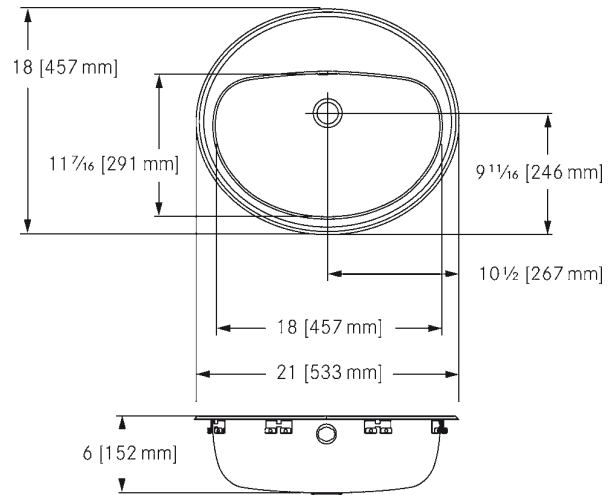


V1821-6-1 Vanity with ledge, 1 hole | 214.0493.210



Single compartment self rimming vanity basin with faucet ledge. 18 gauge (1.2 mm), type 304 (CNS 18/10) stainless steel. Mirror finished rim, #4 satin finished bowl. Undercoated to reduce condensation and resonance. Includes factory applied rim seal, cutout template, and installation hardware. Certified to ASME A112.19.3-2008 / CSA B45.4-08. Wheelchair accessible: meets ADA (Americans with disabilities act guidelines), ANSI A117.1 (Accessible and usable buildings and facilities), and CSA B651-04 (Accessible design for the built environment). Check local codes to ensure compliance. Centre back waste location, accepts 1 1/4" (32 mm) waste assembly (not included). No overflow. 1 faucet hole 1 1/2" (38 mm) diameter. 18 x 21" Overall. 11 7/16 x 18 x 6" Bowl. (FB x LR x D). 457 x 533 mm Overall. 291 x 457 x 152 mm Bowl. (FB x LR x D).

Product Dimensions

| | |
|------------------------------|--------|
| Overall front to back | 17.992 |
| Overall left to right | 20.984 |
| Bowl dimension front to back | 11.457 |
| Bowl dimension left to right | 17.992 |
| Bowl depth | 5.984 |

Installation

| | |
|---------------------|----------|
| Installation type | Topmount |
| Installation system | EZ Claw |

Product specifications

| | |
|--------------------------|------------------------|
| Gauge | 18 |
| Wheelchair accessibility | Yes |
| Certification | cUPC |
| Type of material | Type 304 |
| Material code | CNS 18/10 |
| Surface finish | Mirror rim, satin bowl |
| Number of bowls | 1 |
| Faucet ledge position | Yes |
| Number of faucet holes | 1 |
| Waste location | Center back |
| Waste size | 1 1/4" (32mm) |

Product identification

| | |
|---------------|-----------|
| Model | V1821-6-1 |
| Product brand | FRANKE |

| | |
|-------------------|---------------|
| Product category | Vanity basins |
| Features | |
| Overflow location | No |
| Waste assembly | Not included |