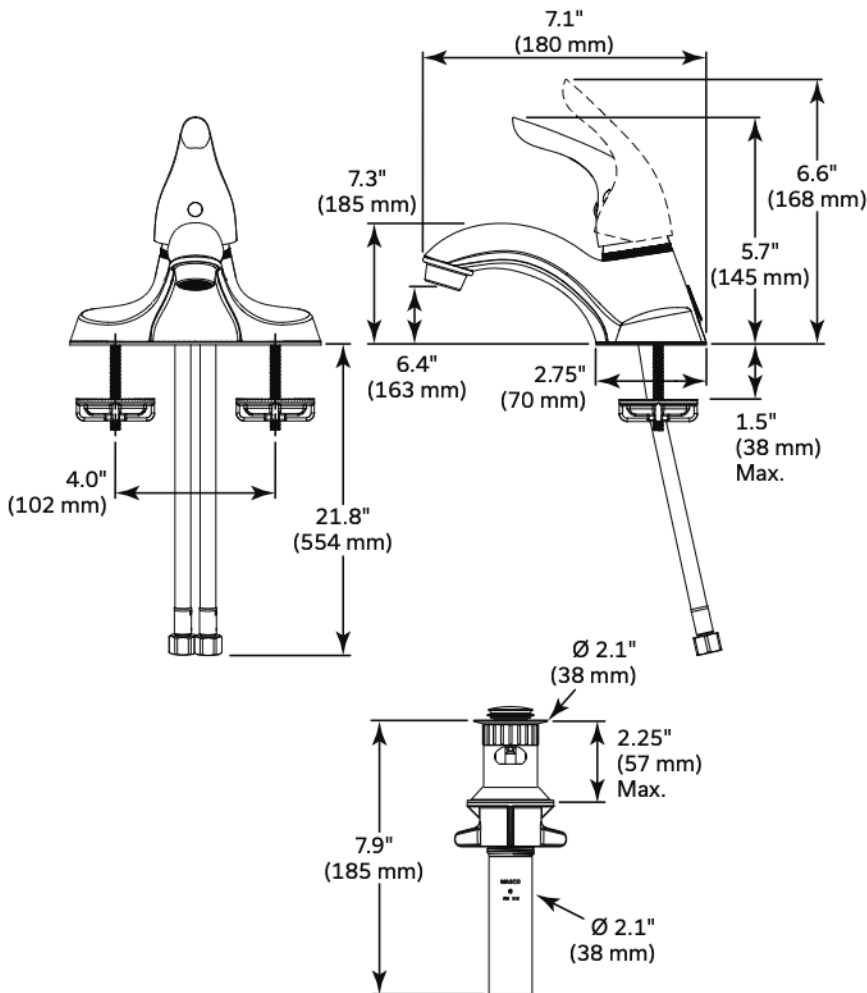




W22215



BATHROOM FAUCET

- ❑ Single Handle Deck Mount
- ❑ 4" (102 mm) 3 Hole Sink Applications

STANDARD SPECIFICATIONS:

- Maximum flow rate 1.0 gpm (3.8 L/min)
- Three hole mount
- Ceramic Cartridge
- Red/Blue indicator markings
- Polymer braided flexible supply hose with 3/8" compression fitting
- Includes 50/50 push pop-up



COMPLIES WITH:

- ASME A112.18.1 / CSA B125.1
- Verified compliant with 0.25% weighted average Pb content regulations
- Indicates compliance to ICC/ANSI A117.1
- EPA WaterSense® listed

WARRANTY

- Parts and Finish - Lifetime limited warranty; or for commercial purchasers, 10 years for multi-family residential (apartments and condominiums) and 5 years for all other commercial uses, in each case from the date of purchase.

Masco Canada Limited

www.waltecfaucets.ca

350 South Edgeware Road, St. Thomas, ON N5P 4L1

© 2021 Masco Canada Limited

WSP-L-W22215, Rev A