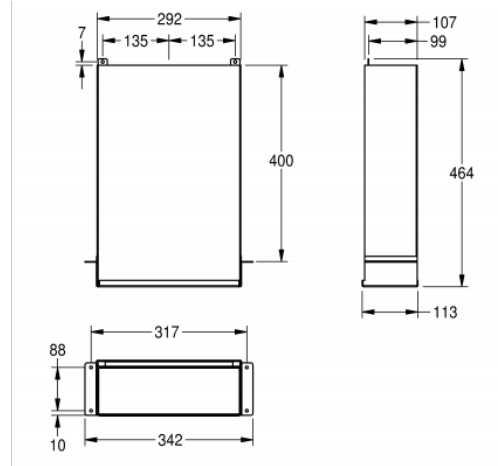


PAPER TOWEL DISPENSER: RODX600ME

RODX600ME | 2000090058



Paper towel dispenser for hidden mounting behind wall and mirror, stainless steel, surface satin finished, material thickness 22 gauge for 600 - 800 paper towels, depending on convolution, filling from bottom, including stainless steel screws and dowels.

TECHNICAL DATA	
maximum depth/diameter of consumable	3 3/8"
maximum width of consumable	10 5/8"
filling quantity	800 towels
gross weight	4.06 kg
lock	no lock
material	STAINLESS-STEEL
material code	1.4301 Chrome Nickel steel V2A
material thickness	1/16"
net weight	3.60 kg
Overall front to back	4 7/16"
overall height	18 1/4"
Overall left to right	13 7/16"
Cabinet finish	satin finished
type of consumable	paper towel
type of fixing	screw
type of mounting	various types of mounting
Type of operation	Manual operation

PROJECT INFORMATION

Item Location _____

Project Number _____

Quote Number _____

Notes _____

Engineer's Approval