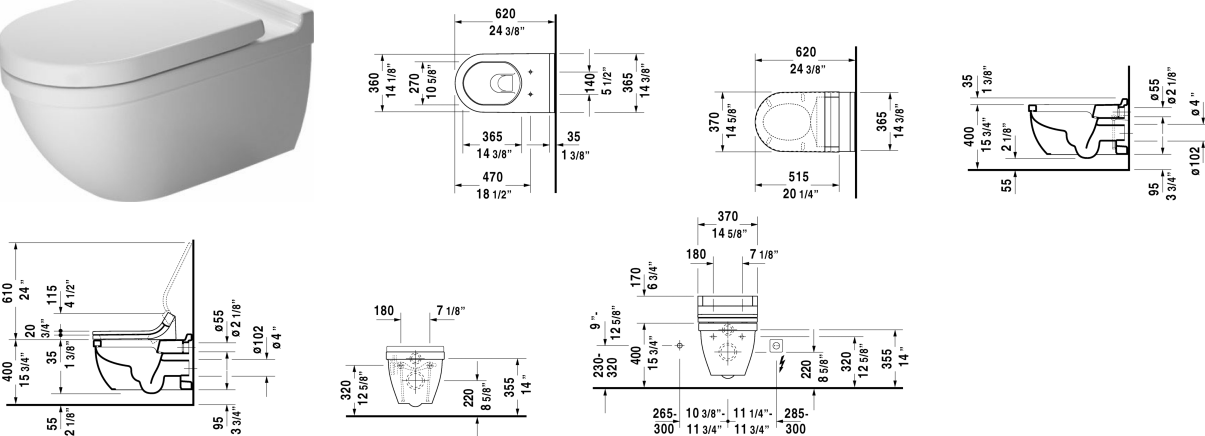



Starck 3 Toilet wall-mounted # 222609..92 / 222609..92

< 14 1/8" Inch >



Toilet wall-mounted	Dimension	Weight	Order number
washdown model, suitable for SensoWash Starck, Durafix included, cUPC® listed*			
Colors			
00 White 20 HygieneGlaze (an antibacterial ceramic glaze that provides almost indefinite effectiveness)			
Variant			
◆ 1.6/0.8 gpf	14 1/8" x 24 3/8" Inch	64 lb	222609..92
◆ 1.6/0.8 gpf	14 1/8" x 24 3/8" Inch	64 lb	222609..92
Infobox			
Durafix for concealed installation is included, * Complies with following standards: ASME A112.19.2/CSA B45.1 and ASME A112.19.14, For suitable SensoWash® shower-toilet seats, please see matrix on page xxx, In-wall tank & carrier and actuator plate required for installation / Refer to page XXX, Wall-mounted toilet is ADA compliant, when installed with a seat height of 17" - 19" from the finished floor, Not available with WonderGliss			
Sigma 01 flush plate, dual flush for toilets, White	9 5/8" x 6 1/2" Inch		115770
Geberit in-wall tank and carrier for toilets	19 3/4" x 3 1/8" Inch	37.5 lb	111798
Geberit in-wall tank and carrier for toilets	19 3/4" x 5 1/2" Inch	40.8 lb	111335
Noise reduction gasket for wall-mounted toilet		0.7 lb	005020
Suitable products			
Toilet seat and cover elongated, hinges stainless steel, removable, with slow close,			006339

Starck 3 Toilet wall-mounted  # 222609..92 / 222609..92

|< 14 1/8" Inch >|

SensoWash® Starck shower-toilet seat for Starck 2, Starck 3 and Darling New* Rear-, Lady- and Comfortwash, individual adjustment of water-, air- and seat surface temperature as well as nozzle position and jet strength, power actuated lid and seat, night light, 2 individually programmable user profiles, remote control included, self-cleaning wand, on / off-button, Quick release: easy seat unit removal and attachment, 14 5/8" x 20 1/4" Inch	14 5/8" x 20 1/4" Inch	610000
Toilet seat ring elongated, open front, hinges plastic, without slow close,		006431
Toilet seat ring elongated, open front, hinges plastic, with slow close,		006439
Toilet seat and cover elongated, hinges stainless steel, without slow close,		006332

All drawings contain the necessary measurements which are subject to standard tolerances. They are stated in inch & mm and are non-binding. Exact measurements, in particular for customized installation scenarios, can only be taken from the finished ceramic piece.