



ONCE UPON A TIME...WATER®

MOROKA™

BF1934

Floormount tub filler with handshower – cartridge included without rough-in

SPECIFICATIONS

Features

- Solid brass construction
- Ceramic disc cartridge
- Flexible 60” hose
- Laminar and hidden stream
- Integral check valves
- Integrated diverter

Colors (Finishes)

- Chrome: BF1934-110
- Matte Black: BF1934-160

Minimum flow rate

- 1/2” supply: 24 L/min (6.5 gpm) at 60 psi

Certifications

The specified model meets or exceeds the following standards;



CSA B125.1
ASME A112.18.1
ICC A117.1



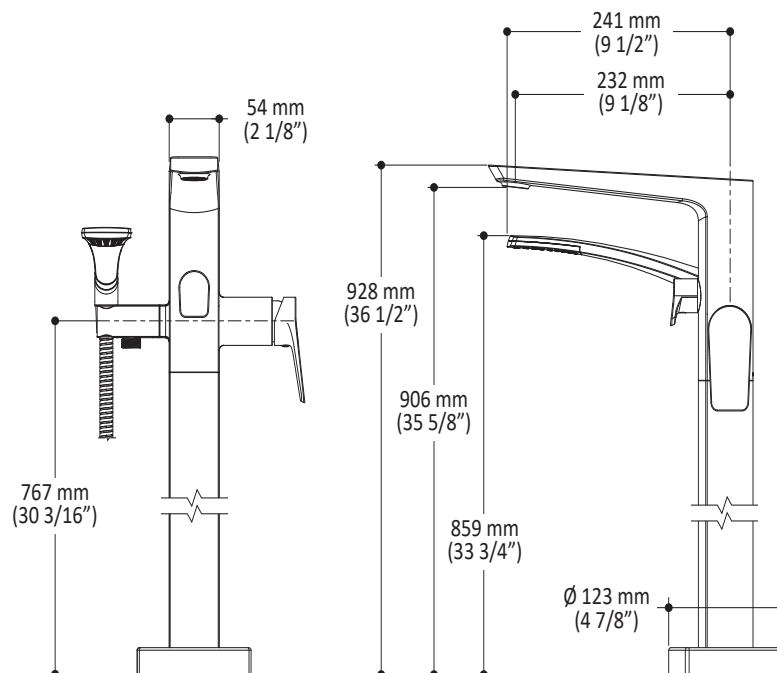
Installation Notes

This product must be installed following the installation instructions provided.

WARRANTY

Kalia Inc. guarantees all aspects of its products to be free of defects in material and workmanship for normal residential use. Refer to the warranty included with the Kalia products for details.

Product dimensions:



105162 required

Important: Dimensions are approximated and are subject to changes. Please refer to the installation instructions.



ONCE UPON A TIME...WATER®

1355, 2nd Street, Industrial Park
Sainte-Marie (Québec)
Canada G6E 1G9

T 418-387-9090
1-877-GO-KALIA (1-87- 465-2542)
F 418 387-9089

KaliaStyle.com

