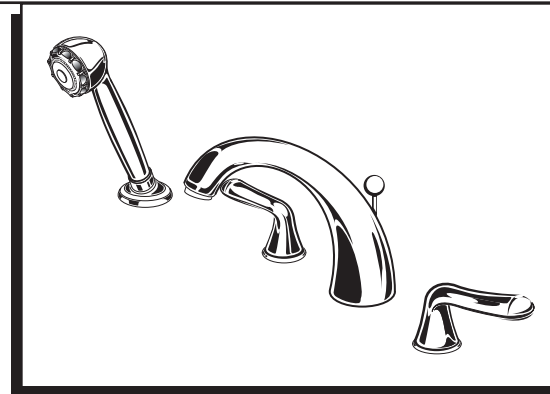


American Standard

Installation Instructions 3985.90X

COLONY SOFT DECK-MOUNT BATH FILLER



Certified to comply with ANSI A112.18.1M

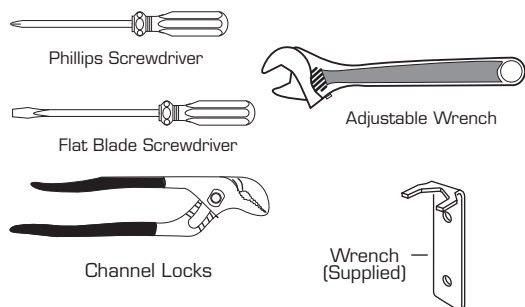
Thank you for selecting American-Standard...the benchmark of fine quality for over 100 years.

To ensure that your installation proceeds smoothly—please read these instructions carefully before you begin.

IMPORTANT NOTICE TO INSTALLER!

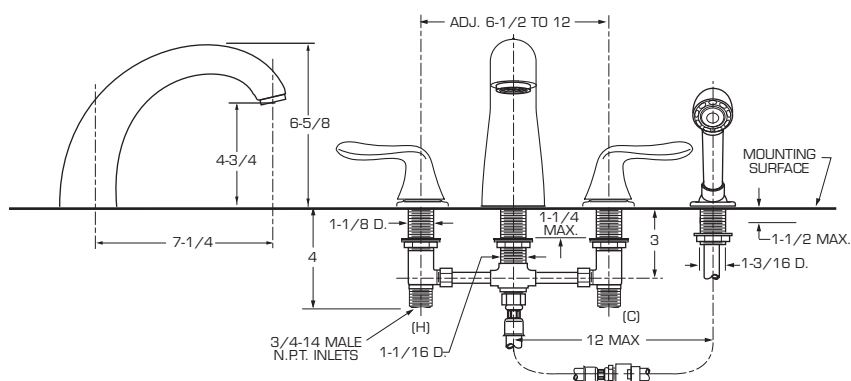
Please check with local Code Authority for the installation requirements of this product. Some codes require an additional temperature mixing valve to limit the maximum hot water temperature and vacuum breaker (for products with hand spray) to be installed with this product.

Recommended Tools



ROUGHING-IN DIMENSIONS

M968916 Rev. 1.1

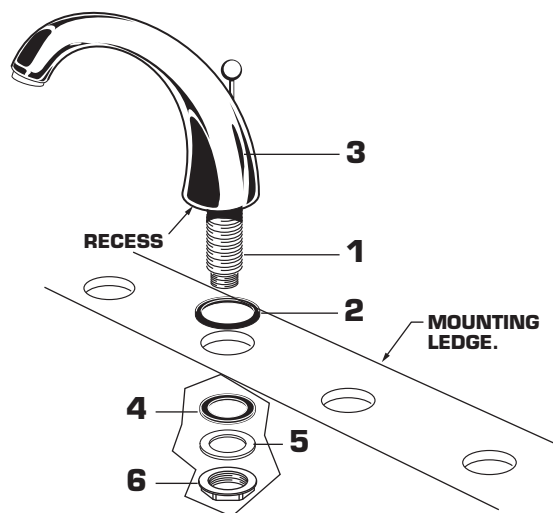


1 SPOUT ASSEMBLY

CAUTION

Turn off hot and cold water supplies before beginning.

- Insert SPOUT SHANK (1) through center hole of MOUNTING LEDGE. Make sure that the RUBBER RING (2) is properly seated in RECESS at base of SPOUT (3).
- Assemble RUBBER WASHER (4) and BRASS WASHER (5) onto SHANK (1). From underside of ledge secure SPOUT (3) into position with LOCKNUT (6).

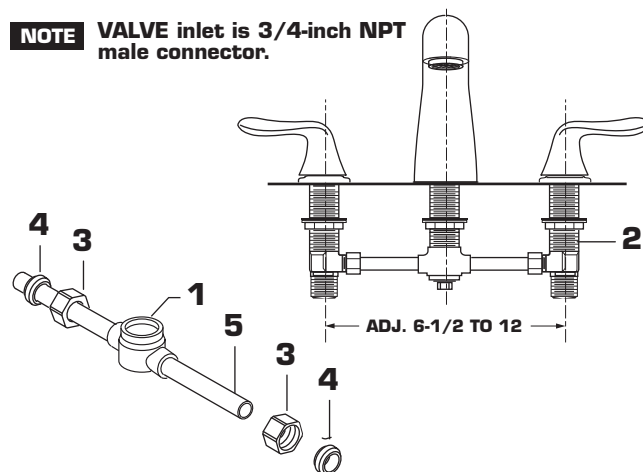


2 PREPARE TUBE AND TEE ASSEMBLY

PREPARE TUBE AND TEE ASSEMBLY

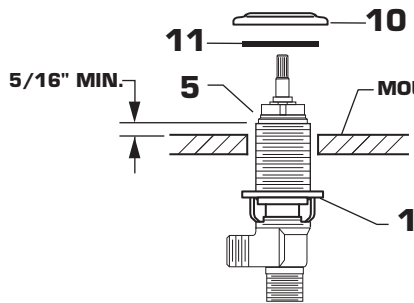
- Prepare TUBE and TEE ASSEMBLY (1) to fit center VALVE (2) location (between 6-1/2" and 12"). If necessary, cut and/or bend TUBING carefully. Make sure tube bend is close to the TEE (1) so that it will not effect the compression joint at the VALVE CONNECTION.
- Remove COUPLING NUT (3) and FERRULE (4) from each VALVE (2) and slide onto TUBING (5).

NOTE VALVE inlet is 3/4-inch NPT male connector.

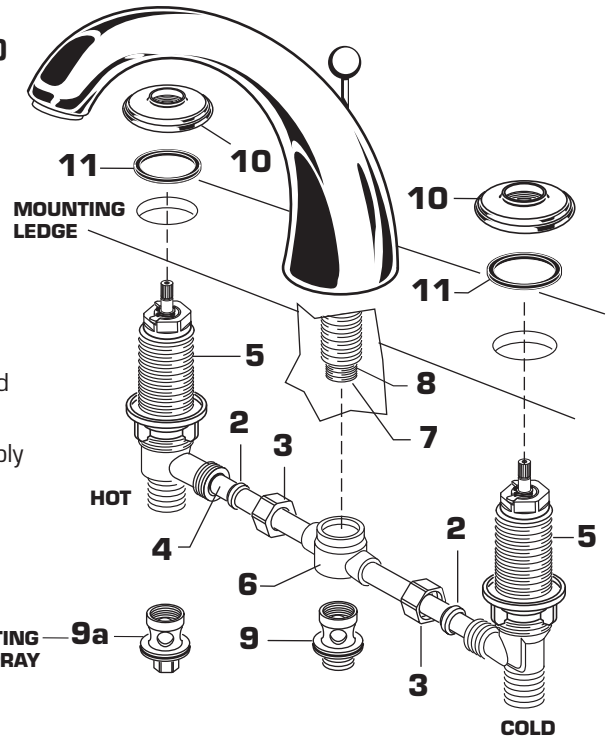


3 VALVE ASSEMBLY

- Install MOUNTING NUT (1) onto valve shanks.
- Push TUBING (4) ends into VALVE (5) side outlets. Insert VALVES (5) into mounting holes from underside of ledge.
- Press TEE (6) onto SPOUT SHANK (7) making certain that the O-RING (8) is properly seated on SHANK (7). Push COUPLING (9) into TEE (6) and attach to SPOUT SHANK (7) and tighten using a 10mm (3/8") hex wrench. (Install COUPLING (9a) for tub filler less hand spray).
- Place RUBBER RING (11) into ESCUTCHEON (10) and thread onto valves until snug against internal stop.
- Tighten MOUNTING NUT (1) to secure VALVE (5) position.
- Slide FERRULE (2) and COUPLING NUT (3) to outlet of VALVE (5) and tighten COUPLING NUT (3) firmly.
- Connect HOT water supply to inlet of left VALVE and COLD water supply to inlet of right VALVE using appropriate connector.

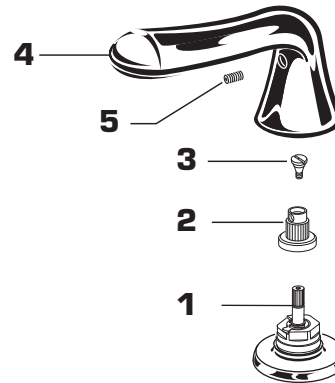


FOR FITTING LESS SPRAY



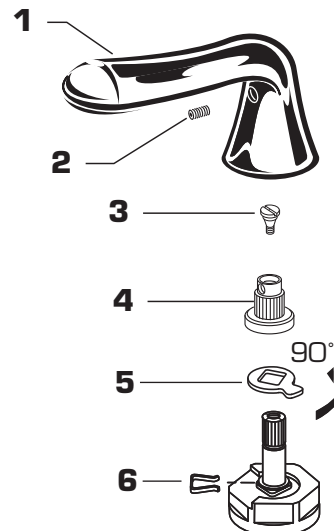
4 INSTALL HANDLES

- Turn HANDLE STEM (1) to "OFF" position.
- Place the HANDLE ADAPTER (2) on the HANDLE STEM (1). Install the ADAPTER SCREW (3) and tighten securely.
- Position LEVER HANDLE (4) and place on ADAPTER (2). Install the HANDLE SCREW (5) and tighten securely using 5/64" hex wrench supplied.



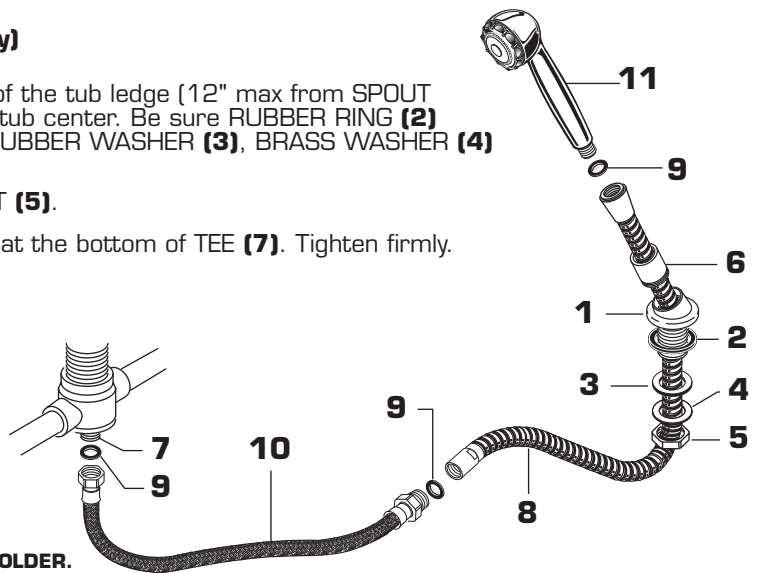
5 SERVICE

- To change direction of handle rotation, proceed as follows:
 - Turn valve to OFF position.
 - Loosen HANDLE SET SCREW (2) and pull off HANDLE (1).
 - Remove ADAPTER SCREW (3) and pull off Adapter (4).
 - Remove SPRING CLIP (6).
 - Lift STOP WASHER (5), turn 90° and replace.
 - Replace SPRING CLIP (6).
 - Reinstall ADAPTER (4) and complete HANDLE ASSEMBLY.
- If spout drips, operate handles several times from OFF to ON position. Do not force - handles turn only 90°.



6 HANDSHOWER INSTALLATION (For 3985.901 only)

- Drop SPRAY ESCUTCHEON (1) through the fourth hole of the tub ledge (12" max from SPOUT center) with SPRAY ESCUTCHEON (1) directed towards tub center. Be sure RUBBER RING (2) is properly seated in SPRAY ESCUTCHEON (1). Install RUBBER WASHER (3), BRASS WASHER (4) and LOCKNUT (5) from underside of ledge.
- Secure SPRAY ESCUTCHEON (1) by tightening LOCKNUT (5).
- Insert SEAL (9) and connect HOSE (10) to outlet nipple at the bottom of TEE (7). Tighten firmly.
- Slip SHOWER HOSE (8) with COUPLING NUT through SPRAY HOLDER (6) and SPRAY ESCUTCHEON (1).
Note: SPRAY HOLDER (6) must be separate from ESCUTCHEON (1) to pass HOSE (8) through ESCUTCHEON (1).
- Insert SEAL (9) into SHOWER HOSE (8). Connect HOSE (8) to HOSE (10).
- Insert SEAL (9) and connect HAND SHOWER (11) to SPRAY HOSE (8).

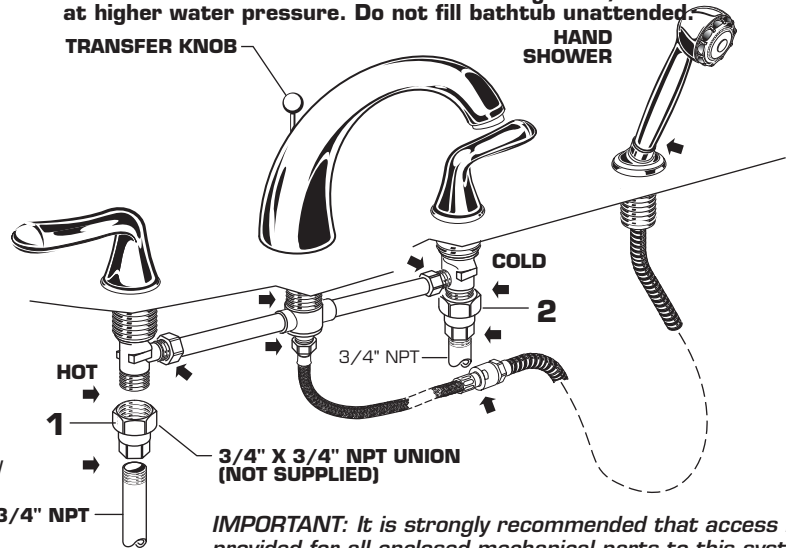


NOTE When not in use, HANDSHOWER should be seated in the HOLDER.

7 MAKE WATER SUPPLY CONNECTIONS

- Connect HOT water supply to LEFT INLET UNION (1) and COLD water supply to RIGHT INLET UNION (2). Pipe connections are 3/4" NPT. Use sealant or Teflon tape on pipe connections.
Do not solder directly to valve body.

CAUTION
The flow rate of this Tub Filler exceeds 20 gallons/minute at higher water pressure. Do not fill bathtub unattended.



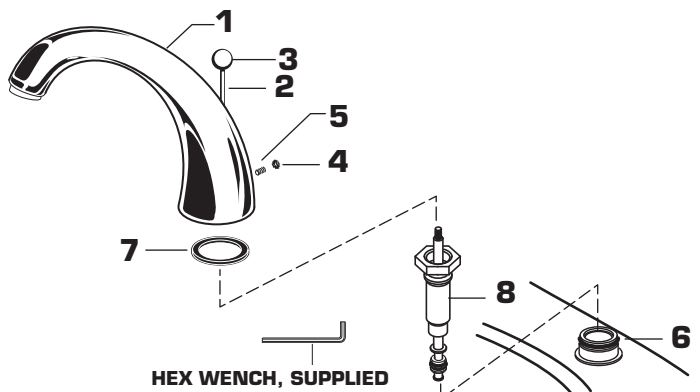
IMPORTANT: It is strongly recommended that access be provided for all enclosed mechanical parts to this system.

7A TEST INSTALLED FAUCET

- With HANDLES in OFF position, turn on WATER SUPPLIES and check all connections for leaks.
- Operate both HANDLES to flush water lines thoroughly.
- Lift HAND SHOWER from HOLDER, direct spray into tub. Lift TRANSFER KNOB to check HAND SHOWER and HOSES for leaks.
- Turn handles "off" and replace HAND SHOWER.

8 Before the bathroom is completely finished, you may want to remove spout, handshower, and handles.

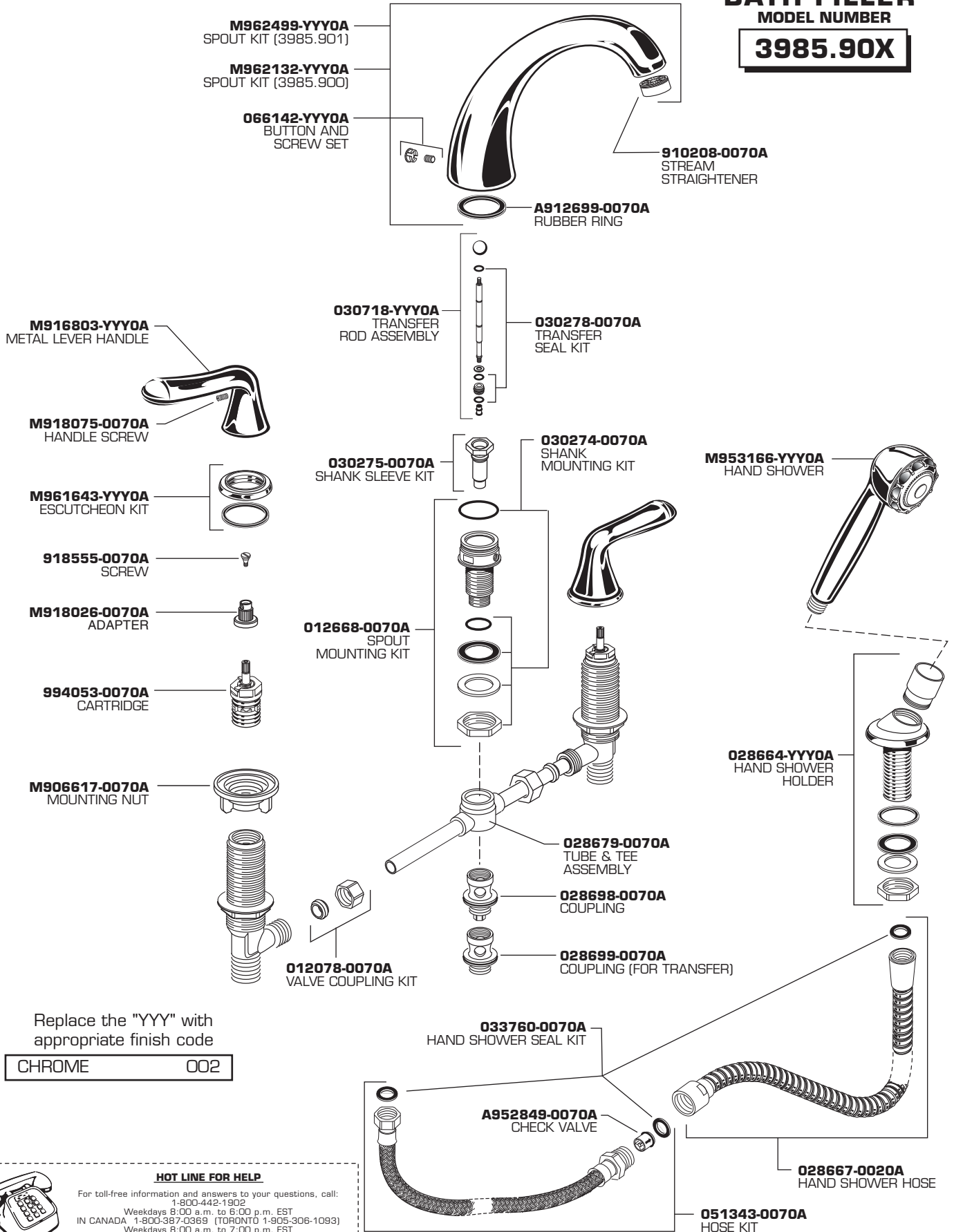
- To remove handles, reverse steps in section 4.
- To remove SPOUT (1), proceed as follows:
 - Lift TRANSFER ROD (2) and unscrew KNOB (3). (Model 3985.901 only).
 - Remove PLUG BUTTON (4) and remove SET SCREW (5) using 5mm hex wrench supplied.
 - Lift SPOUT (1) off SHANK (6) carefully and remove RUBBER RING (7).
 - Unscrew SHANK SLEEVE (8) and lift TRANSFER ROD (2) from SHANK (6). (Model 3985.901 only).
 - Reverse sequence to re-install SPOUT (1). Be sure RUBBER RING (7) is properly seated in its recess at the base of the SPOUT (1). Make certain SET SCREW (5) is properly aligned and tight so that SPOUT (1) is locked in place.



CARE INSTRUCTIONS:

DO: SIMPLY RINSE THE PRODUCT CLEAN WITH CLEAR WATER. DRY WITH A SOFT COTTON FLANNEL CLOTH.

DO NOT: CLEAN THE PRODUCT WITH SOAPS, ACID, POLISH, ABRASIVES, HARSH CLEANERS, OR A CLOTH WITH A COARSE SURFACE.



Replace the "YYY" with
appropriate finish code

CHROME **002**



HOT LINE FOR HELP

For toll-free information and answers to your questions, call:
1-800-442-1902
Weekdays 8:00 a.m. to 6:00 p.m. EST
IN CANADA 1-800-387-0369 (TORONTO 1-905-306-1093)
Weekdays 8:00 a.m. to 7:00 p.m. EST
IN MEXICO 01-800-839-1200