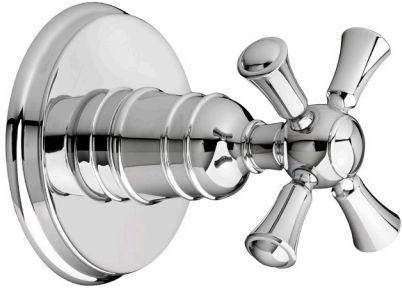




AMERICAN STANDARD

# RANDALL™ 3/2 OR 4/3 DIVERTER VALVE TRIM



- Alternates water flow between 2 or 3 discrete shower outlets
- 4/3 Port diverter allows for 1 inlet and 3 outlets
- 3/2 Port diverter allows for 1 inlet and 2 outlets
- 1/2" NPT inlets and outlets
- Available with cross handle only

### CODES AND STANDARDS

Meets or Exceeds ASME A112.18.1/CSA B125.1

### AVAILABLE FINISHES

- Polished Chrome
- Brushed Nickel
- Platinum Nickel

### FINISH CODE

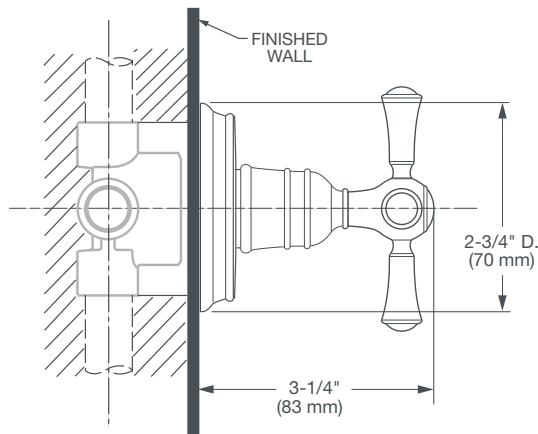
- 100
- 144
- 150

### DESCRIPTION

- Handle Trim Kit for 2-Way or 3-Way In-Wall Diverter
- 3/2 Port Diverter Rough Valve
- 4/3 Port Diverter Rough Valve

### PRODUCT NUMBER

- D35102430.XXX
- D35000420.191
- D35000430.191



**IMPORTANT:** These measurements are subject to change or cancellation. No responsibility is assumed for use of superseded or voided pages.