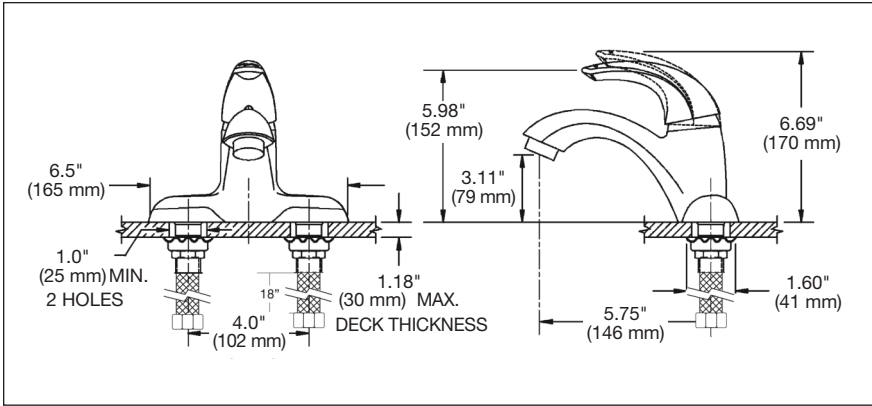


Submitted Model No.: \_\_\_\_\_

Specific Features: \_\_\_\_\_



## LAVATORY FAUCETS

- Innovations® Series
- Single Handle Deck Mount
- 3 Hole Sink Applications
- 4" Centerset

### STANDARD SPECIFICATIONS:

- Single handle lavatory faucet.
- Solid brass cast body.
- 4" (102 mm) centerset.
- 5 3/4" (146 mm) long, 3 7/8" (98 mm) high spout.
- Metal lever handle.
- Ceramic cartridge with high temperature limit stop.
- 18" stainless steel braid supply lines – Model 580LF-TP only.
- Colour coded plug button on handle for hot/cold indication.
- Maximum flow rate: 1.5 gpm @ 60 psi, 5.7 L/min @ 414 kPa.

### WARRANTY

- Lifetime Faucet and Finish Limited Warranty to the original consumer purchaser to be free from defects in material and workmanship.
- 5 Year Limited Warranty for usage in all industrial, commercial and business applications.



### COMPLIES WITH:

- ASME A112.18.1/CSA B125.1
- CSA Certified
- Indicates ADA compliance to ICC/ANSI A117.1
- EPA WaterSense – \*580LF and 580LF-TP models only.
- Verified compliant with 0.25% weighted average Pb content regulations.

