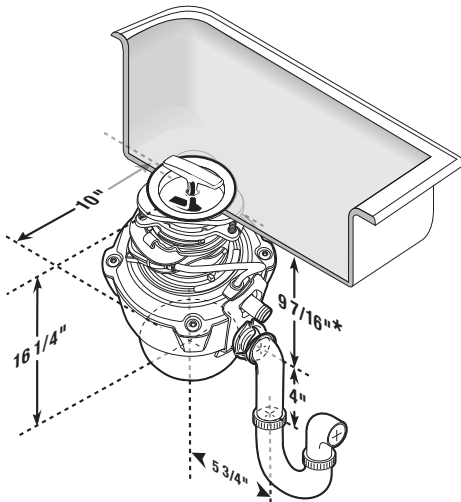


QUIET SERIES

Evolution Cover Control® Plus



Dimensions



* Add 1/2" when stainless steel sinks are used.

Submittal Sheet

Ideal for those seeking the extra assurance of covered operation.

- **Easy Swap.** Designed to fit existing InSinkErator disposers.
- **2-Stage MultiGrind® Technology** for tougher food scraps like chicken bones.
- **Highest Durability.** Alloy stainless steel components with LeakGuard Liner.™
- **Advanced Noise Reduction.** With insulated SoundSeal® technology.
- Features exclusive patent-pending **Magnetic CoverStart® Activation.** The cover goes in before the disposer goes on.

Sample Specification

Food Waste Disposer(s) shall be InSinkErator® Model Evolution Cover Control® Plus with MultiGrind® and SoundSeal™ technologies, 3/4 HP motor, Stainless Steel Grind Chamber and components.

Warranty:
7-Year parts and in-home service.

* The complete InSinkErator warranty is included in the Care & Use Booklet packed with each unit.

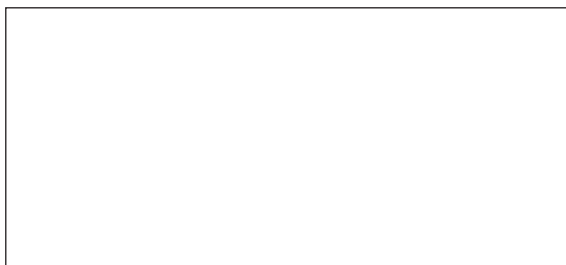


Food waste is roughly 80% water. By using your disposal regularly, you can help divert food waste from landfills and reduce greenhouse gas emissions. Make sustainability a family affair by using your disposal. After all, the smallest changes can make the biggest impact.

Specifications

Type of Feed	Batch Feed
On/Off Control	Cover Control
Motor	Single Phase
HP	3/4
Volts	120
HZ	60
RPM	1725
Amp. (Avg. Load)	9.5
Time Rating	Intermittent
Lubrication	Permanently Lubricated Upper & Lower Bearings
Shipping Weight (Approx.)	24.4 lbs
Unit Finish	Gray
Overall Height	16-1/4"
SoundSeal Technology	Anti-Vibration Mount® Anti-Vibration Tailpipe Mount™ Sink Baffle Multi-Layer SoundLimiter® Insulation
MultiGrind Technology	GrindShear Ring®
Grind Chamber Capacity	40 oz.
Motor Protection	Manual Reset Overload
Average Water Usage	Approx. 1 Gallon Per Person Per Day
Average Electrical Usage	3-4 KWH Per Year
Drain Connection	1-1/2" Anti-Vibration (Hose Clamp)
Dishwasher Drain Connection	Yes

Job Specifications



The Emerson logo is a trademark and service mark of Emerson Electric Co. The mounting collar configuration is a trademark of Emerson Electric Co.

InSinkErator may make improvements and/or changes in the specifications at any time, in its sole discretion, without notice or obligation and further reserves the right to change or discontinue models.

1-800-558-5700
www.insinkerator.com

