

B3Square 6030

Model number:

420004

Dimensions: 60" x 30" x 4"

Installation:

Material: Acrylic



Standard Features:

- Acrylic rectangular shower base with square drain
- 3 in. threshold and smooth floor
- Right, left or back-end drain
- Chrome grid and drain included (ABS or PVC available)
- Grids also available in Dark Bronze or Brushed Nickel

Product characteristics:

- Low Threshold
- Easy Installation
- Smooth Floor

Warranty:

25 Years

Standard colors:



White (001)



Bone (004)



Biscuit (007)

Certifications

MAAX products adhere to one or more of the following certifications:



Recommended products (Visit our website for a complete list of our recommended products)

No	Description
135875	Nebula Sliding Shower Door 57 ¾-58 ½ x 78 ¾ in. 8 mm
138470	Vela Sliding Shower Door 56 ½-59 x 78 ¾ in. 8 mm
138475	Vela Sliding Door with Towel Bar 56 ½-59 x 78 ¾ in. 8 mm

Options (Visit our website for a complete list of our options)

No	Description
<input type="checkbox"/> OPT 20208	PVC drain
<input type="checkbox"/> OPT 20253	ABS drain
<input type="checkbox"/> OPT 20254	PVC drain

B3Square 6030

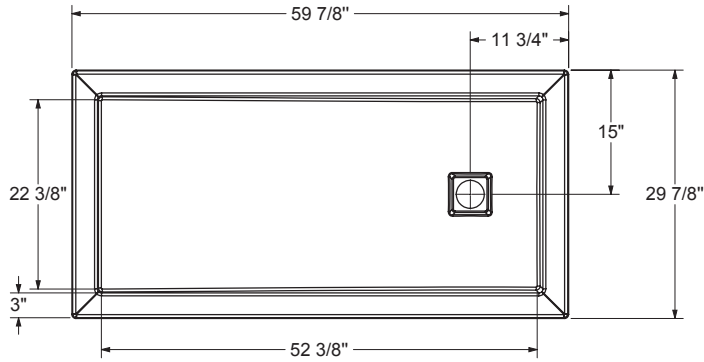
Model number:

420004

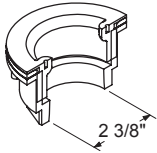
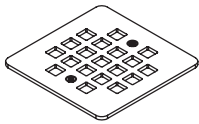
Dimensions: 60" x 30" x 4"

Installation:

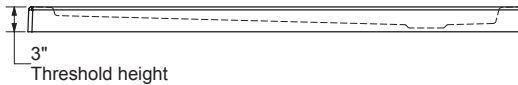
Material: Acrylic



DRAIN INCLUDED
FOR B3 SQUARE ONLY



1" integrated tiling
flange (not shown)



3"
Threshold height

This technical drawing is universal for every 6030 configuration.

Integrated tiling flange : 1" height x 1/4" thick (not shown)
Tiling flange position is determined by chosen configuration.

All dimensions are approximate. Structure measurements
must be verified against the unit to ensure proper fit.

Dimensions:

59 7/8 x 29 7/8 x 4 in.
(1521 x 759 x 102 mm)

Weight:

52 lbs (23.58 kg)

Shape:

Rectangular

Drain location:

Left

Right

Back End

Installation:

Alcove

Corner Left

Corner Right

Alcove Deep

Wall Mounted

Project:

Contractor:

Representative:

Date:

Tel:

Notes: