

Specification Submittal Data / Panasonic Ventilation Fan

Description

Ventilating fan shall be low noise remote mount type rated for continuous run. Fan shall be ENERGY STAR® rated and certified by the Home Ventilating Institute (HVI). Evaluated by Underwriters Laboratories and conform to both UL and cUL safety standards.

Motor/Blower:

- Four-pole totally enclosed condenser motor rated for continuous run.
- Power rating shall be 120 volts and 60 Hz.
- Fan shall be UL listed for tub/shower enclosure when GFCI protected.
- Motor equipped with thermal-cut-off fuse.

Housing:

- Rust proof epoxy and polyester resin coating, 26 gauge galvanized steel body.
- Insulated housing to prevent condensation and noise.
- Tapered duct adapter for easy connection.

Easy Installation:

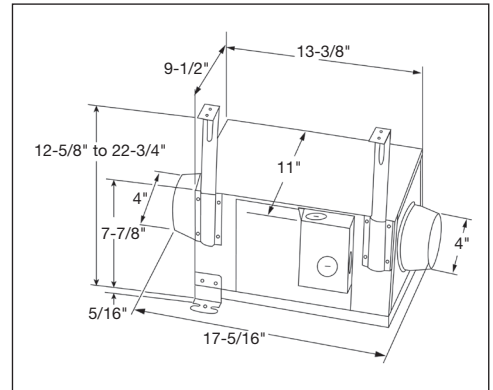
- 5 positions installation.
- Joist, truss and suspension brackets included.

Warranty:

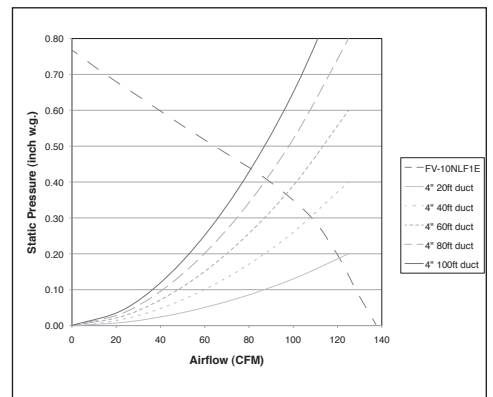
- 3-Year limited warranty.

Architectural Specifications:

Ventilation fan shall be remote mount, ENERGY STAR® certified, with no less than 120 CFM as certified by the HVI at .2 static pressure in inches water gauge. Power consumption shall be no greater than 27.5 Watts and energy efficiency rating shall be no less than 4.4 CFM/Watt. The motor shall be totally enclosed, four pole condenser type engineered to run continuously. Power rating shall be 120v/60Hz. Housing shall be insulated to reduce condensation. Duct diameter shall be no less than 4". Fan shall be UL and cUL listed for tub/shower enclosure when GFCI protected. Brackets shall be provided for joist, truss or suspension installations. Can be used to comply with ASHRAE 62.2, LEED, CA Title 24, EarthCraft and WA Ventilation Code.



FV-10NLF1E



Specifications: WhisperLine FV-10NLF1E					
Static Pressure in inches w.g.	Air Volume (CFM)	Power Consumption (Watts)	Energy Efficiency (CFM / Watts)	Speed (RPM)	Current (amps)
0.2	120	27.5	4.4	1562	0.24
0.3	108	25.6	4.4	1596	0.22
0.4	89	24.3	3.9	1637	0.21

For complete Installation Instructions visit us.panasonic.com/ventfans

Model	Quantity	Comments	Project:
			Location:
			Architect:
			Engineer:
			Contractor:
			Submitted by:
			Date:

Panasonic Eco Solutions North America
Eco Products Division
Two Riverfront Plaza
Newark, NJ 07102

us.panasonic.com/ventfans

