

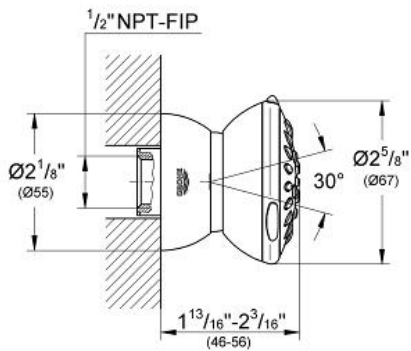
# GROHE ONDUS/RELEXA 65 MESSAGE NPT

MODEL # 27070000

GROHE CANADA, INC. | 5900 Avebury Road, Mississauga, Ontario, Canada L5R 3M3  
Phone: 905-271-2929 | Fax: 905-271-9494 | info@grohe.ca

Pure Freude  
an Wasser

GROHE



#### Product Description:

GROHE ONDUS/RELEXA 65 MESSAGE NPT

#### Standard Specification:

- 2 adjustable spray patterns: Normal/Massage
- Ball-joint
- 1/2" NPT Female Threads
- GROHE DreamSpray perfect spray pattern
- GROHE StarLight chrome finish
- SpeedClean® anti-lime system
- Inner WaterGuide for a longer life

#### Applicable Codes & Standards:

- Energy Policy Act of 1992
- ASME A112.18.1/CSA B125.1

#### Color:

- 27070000 StarLight Chrome