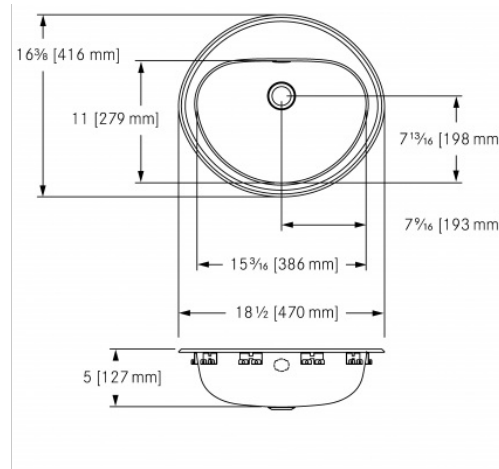


VANITY BASIN: OV1619/5/1

OV1619/5/1 | 2000102310



Single compartment self rimming vanity basin with faucet ledge. 18 gauge (1.2 mm), type 304 (CNS 18/10) stainless steel. Mirror finished rim, #4 satin finished bowl. Undercoated to reduce condensation and resonance. Includes factory applied rim seal, cutout template, and installation hardware. Certified to ASME A112.19.3-2008 / CSAB45.4-08.

Wheelchair accessible: meets ADA (Americans with disabilities act guidelines), ANSI A117.1 (Accessible and usable buildings and facilities), and CSAB651-04 (Accessible design for the built environment). Check local codes to ensure compliance.

Center back waste location, accepts 1 1/4" (32 mm) waste assembly (not included), integral overflow at back of bowl.

1 faucet hole, 1 1/2" (38 mm) diameter

TECHNICAL DATA

type of basin	vanity basin
bowl depth	5"
Bowl finish	SATIN-FINISHED
Bowl front to back	11"
Bowl left to right	15 3/16"
gross weight	4.11 kg
material	STAINLESS-STEEL
material code	1.4301 Chrome Nickel steel V2A
material thickness grade	18 gauge (1.2 mm)
Overall front to back	16 3/8"
Overall left to right	18 1/2"
overflow	yes
Faucet ledge	yes
type of waste kit	optional grid strainer
undercoated	yes
waste hole position	centre back
waste size	DN 32
faucet hole diameter	1 1/2"
number of faucet holes	1
net weight	3.41 kg
Wheelchair compliant	yes
Overflow Location	Back

PROJECT INFORMATION

Item Location _____

Project Number _____

Quote Number _____

Notes _____

Engineer's Approval

