

### Features

- No faucet holes; requires wall- or counter-mount faucet.
- Overflow drain.

### Material

- Vitreous china.

### Installation

- Drop-in or vessel.

### Recommended Products/Accessories

- K-23726 Drain treatment
- K-23725 Cast iron cleaner



ADA CSA B651

### Codes/Standards

ASME A112.19.2/CSA B45.1  
ADA  
ICC/ANSI A117.1  
CSA B651


### KOHLER® One-Year Limited Warranty

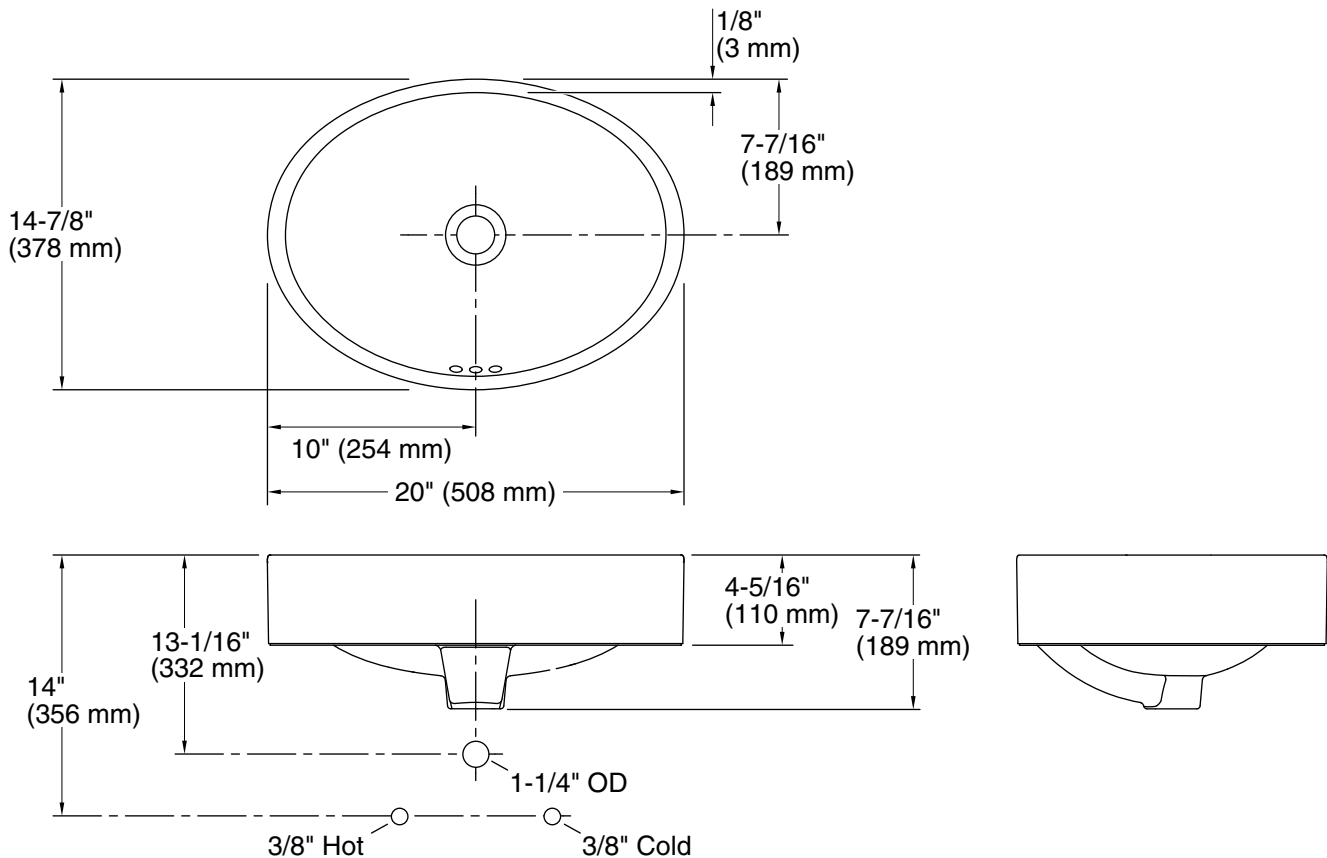
See website for detailed warranty information.

### Available Colors/Finishes

*Color tiles intended for reference only.*

| Color | Code | Description |
|-------|------|-------------|
|-------|------|-------------|

|   |   |       |
|---|---|-------|
|  | 0 | White |
|---|---|-------|



## Technical Information

All product dimensions are nominal.

|                     |   |
|---------------------|---|
| Bowl configuration: | Single  |
| Installation:       | Vessel  |
| Bowl area (Only):   | Bowl depth: 5-1/2" (140 mm)<br>With overflow: Yes |
| With overflow:      | Yes   |
| Template:           | 1245921-7, required, included                     |

## Notes

Install this product according to the installation instructions.

**NOTICE:** Countertop manufacturer or cutter must use the cut-out template provided with the product, or a current one provided by Kohler Co. (call 1-800-4-KOHLER). Kohler Co. is not responsible for cutout errors when the incorrect cut-out template is used.

ADA, CSA B651 compliant when installed to the specific requirements of these regulations.