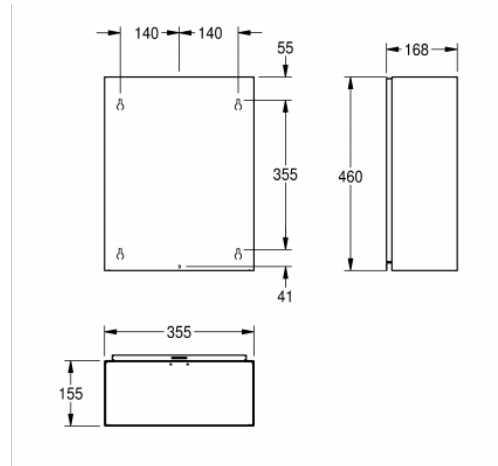


WASTE BIN: RODX605  
 RODX605 | 2000090061



Waste bin for wall mounting, stainless steel, surface satin finished, material thickness 22 gauge rounded edges, mounting either with mounting bracket or directly onto the wall, including stainless steel screws and dowels.  
 Capacity: approx. 23 litre

TECHNICAL DATA	
bag clamp	no
filling volume	23.00 liter
gross weight	4.90 kg
lid	no
lock	no lock
material	STAINLESS-STEEL
material code	1.4301 Chrome Nickel steel V2A
material thickness	1/16"
net weight	4.50 kg
Overall front to back	6 5/8"
overall height	18 1/8"
Overall left to right	14"
Cabinet finish	satin finished
type of fixing	screw
type of mounting	wall mounting

## PROJECT INFORMATION

Item Location \_\_\_\_\_

Project Number \_\_\_\_\_

Quote Number \_\_\_\_\_

Notes \_\_\_\_\_

Engineer's Approval