

BLANCO ALTA DUAL CHROME/ SILGRANIT

Item No. 401316



SILGRANIT® Look dual finish

Product Feature



Available colours



Chrome /
Anthracite



Chrome / Café



Chrome /
Truffle

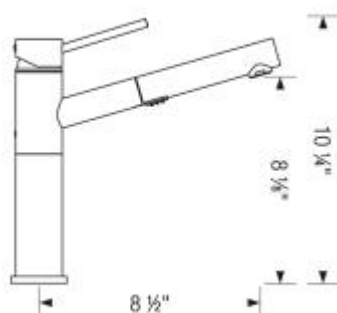


Chrome /
Cinder

SILGRANIT® Look dual finish

Item No. 401316

Dimensions



Side View

Scope of supply

- 130° swivel for optimal range of motion
- Premium Insulated brass handspray
- Coiled metal sheathed spray hose
- Flexible supply lines and 3/8" compression nut for easy installation

- Solid brass construction
- Ceramic disc cartridge

Additional View



100 Corporation Drive, Brampton, ON L6S 6B5 Tel: 905 494 2400
Toll Free: 1877 425 2626 Fax: 905 494 2425 Toll Free: 1877 825 2626
> www.blancocanada.com/en