



**PROMIX™**

**BF1217**

**External thermostatic valve with spout**

**SPECIFICATIONS**

### Features

- Solid brass construction
- Total adjustment of 38mm (1 1/2")
- Ceramic disc diverter
- Water supply inlet 1/2" NPT
- Aerated stream
- Check valves included
- Kalia SensaCool system:
  - Minimizing risk of scalding

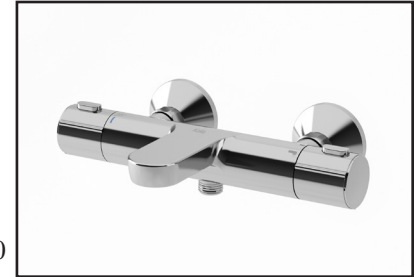


### Packaging

- **Dimensions:** 356mm x 178mm x 191mm (14" x 7" x 7 1/2")
- **Volume:** 0.43 cu ft (0.012 cu m)
- **Total weight:** 4.95 lb (2.2 kg)

### Flow rate

- 20.4 liters/min. (5.4 US gallons/min.) at 60 psi



### Colors (Finishes)

- Chrome : BF1217-110

### Certifications

The specified model meets or exceeds the following standards:

- ASME A112.18.1 / CSA B125.1
- MASS



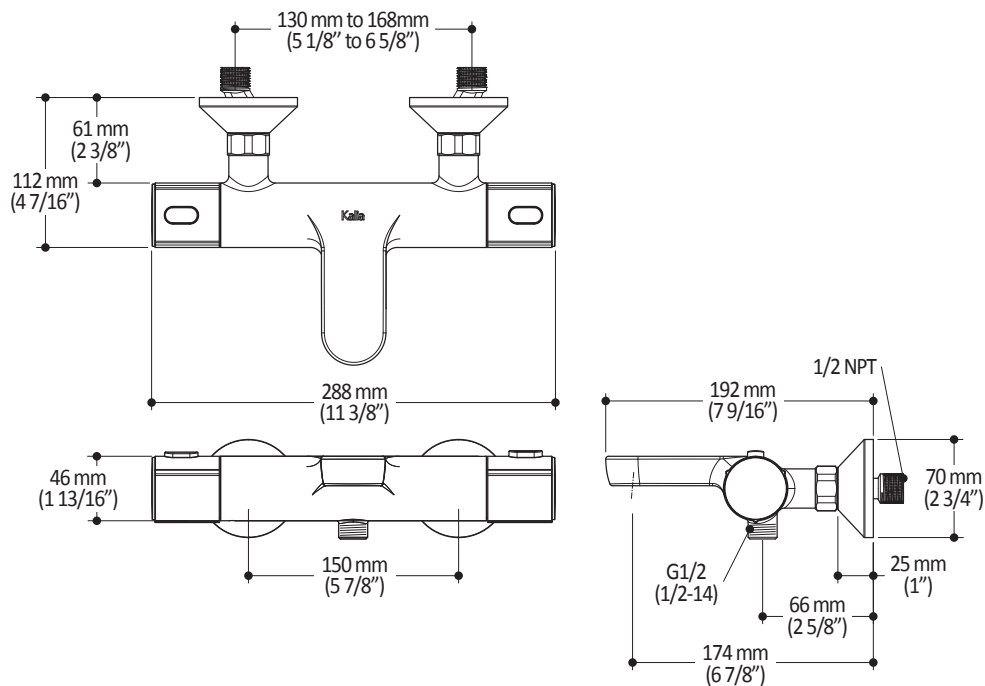
### Installation Notes

This product must be installed following the installation instructions provided.

### WARRANTY

Kalia Inc. guarantees all aspects of its products to be free of defects in material and workmanship for normal residential use. **Refer to the warranty included with the Kalia products for details.**

Product dimensions:



**Important:** Dimensions are approximated and are subject to changes. Please refer to the installation instructions.

**Kalia inc.**  
1355, 2nd Street  
Sainte-Marie (Quebec)  
Canada G6E 1G9

t. 1-418-387-9090  
1 877 GO KALIA (1-877-465-2542)  
f. 1-418-387-9089  
www.KaliaStyle.com