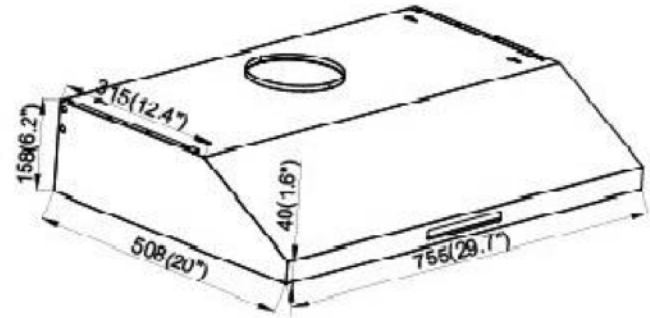


# ONEX<sup>®</sup>

HOODFANS



## OHF60D

✚ Dimension:	30"
✚ Venting size:	6" round duct vent exhaust and back draft damper
✚ Airflow at max:	700 CFM
✚ Lighting:	2X2W LED lamp
✚ Noise Level:	Low speed: 52dBA Max speed: 65dBA with three speed levels
✚ Max speed & Voltage:	65dBA, 110v/60Hz
✚ Motor:	200W
✚ Mount type:	Under Cabinet
✚ Keypad type:	Soft touch
✚ Filters:	Baffle filter
✚ Material:	Stainless steel
✚ Certified:	ETL certificate