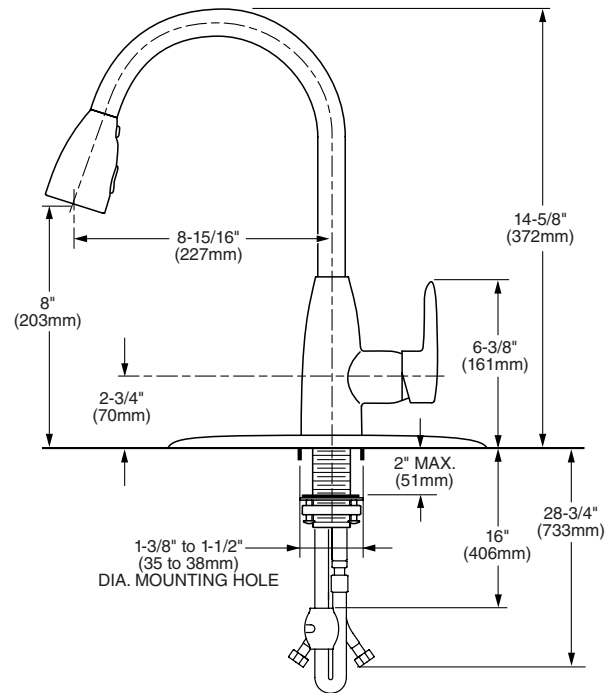




MODEL NUMBER:

- ☐ **4175 300 Pull Down Kitchen Faucet**
- ☐ **4175 300 F15 Pull Down Kitchen Faucet**
 Same as above. 1.25gpm/5.7Lpm flow rate.



GENERAL DESCRIPTION:

Metal body and handle with brass swivel spout. Pull-down spray with adjustable spray pattern and pause feature. Nylon braided pull out hose. Washerless 40mm ceramic disc valve cartridge. Braided flexible supply hoses with 3/8" compression connections. Brass mounting shank with brass fixation ring. Complete with two integral check valves. 1.84gpm/8.3L/min. maximum flow rate, 1.25gpm/5.7 L/min. maximum flow rate for F15 models. Faucet can be mounted with or without metal escutcheon plate, escutcheon size 10" (254mm) L x 2-3/4" (70mm) W.

PRODUCT FEATURES:

Ceramic Disc Valve Cartridge: Assures smooth, precise valve control and a lifetime of drip-free, maintenance-free performance.

Memory Position Valving: Allows user to turn valve on and off at preferred temperature setting without readjusting handle position each time.

Adjustable Hot Limit Safety Stop: Limits the amount of hot water allowed to mix with cold. Reduces the risk of accidental scalding.

Low Lead: Faucet contains ≤ 0.25% total lead content by weighted average.

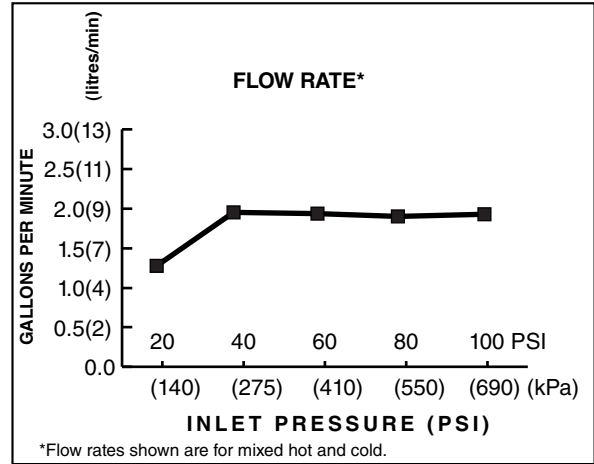
Integral Check Valves: Prevents back flow.

Pull-down Spray Spout: Adjustable spray pattern-stream to spray and pause feature.

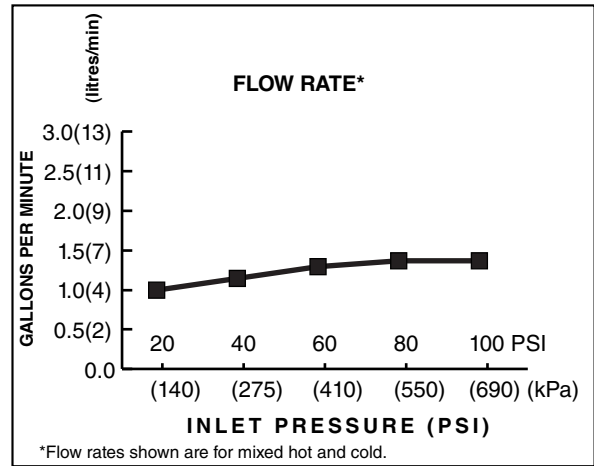
CODES AND STANDARDS

These products meet or exceed the following codes and standards:

- ANSI A117.1**
- ASME A112.18.1**
- NSF 61 / Section 9**
- IAPMO (cUPC)**




1.84gpm/8.3L/min. FLOW RATE



1.25gpm/5.7 L/min. FLOW RATE

Product Number	Description	Finish Options		
		Polished Chrome	Stainless Steel (PVD)	Matte Black
		002	075	242
4175300	Pull-down Kitchen Faucet.			
4175300F15	Same as above. 1.25gpm/5.7Lpm flow rate.			

 Meets the American Disabilities Act Guidelines and **ANSI A117.1** Requirements for the physically challenged.