

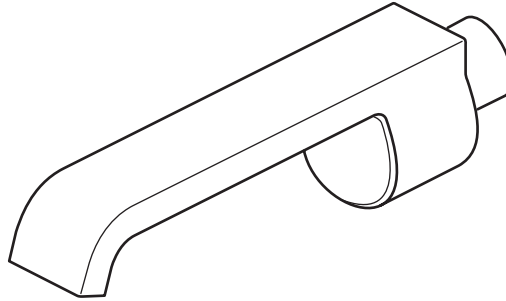
# INSTALLATION INSTRUCTIONS

## Rem™ Wall Tub Spout Model D35100.760



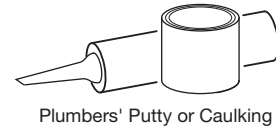
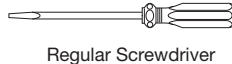
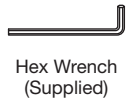
AMERICAN STANDARD

Thank you for selecting DXV by American Standard.  
To ensure that your installation proceeds smoothly,  
please read these instructions carefully  
before you begin.



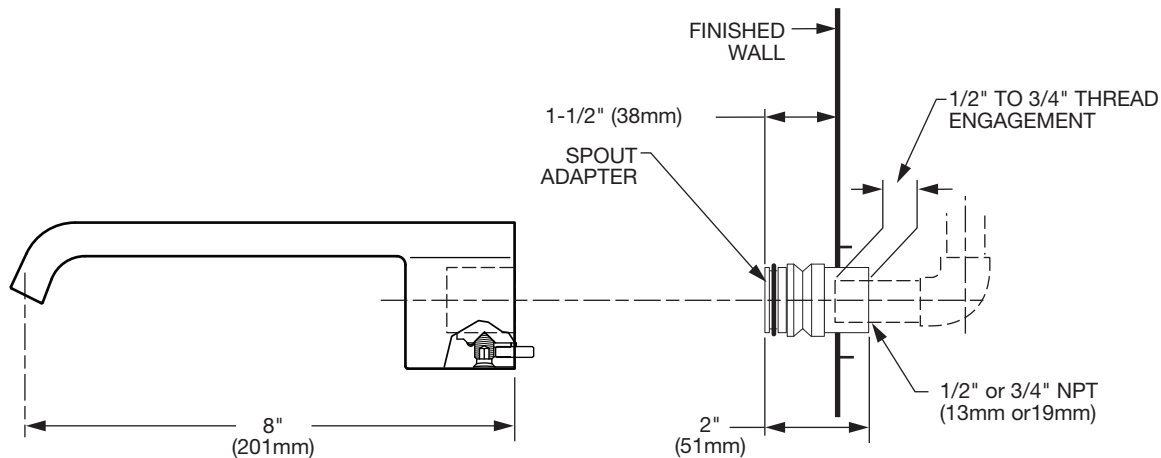
### RECOMMENDED TOOLS AND MATERIALS

Most of the procedures require the use of common tools and materials, which are available from hardware and plumbing, supply stores. It is essential that the tools and materials be on hand before work is begun.



### ROUGHING-IN DIMENSIONS:

- For reference



SAVE FOR FUTURE USE

#### In the United States:

DXV by American Standard  
One Centennial Avenue  
Piscataway, New Jersey 08855  
Attention: Director of Customer Care

For residents of the United States, warranty information may also be obtained by calling the following toll free number: (800) 227-2734  
[www.DXV.com](http://www.DXV.com)

#### In Canada:

DXV by American Standard  
5900 Avebury Road  
Mississauga, Ontario  
L5R 3M3  
Canada

Toll Free: 1-800-387-0369  
Local: 905-306-1093  
Fax: 1-800-395-1498  
[www.DXV.ca](http://www.DXV.ca)

#### In Mexico:

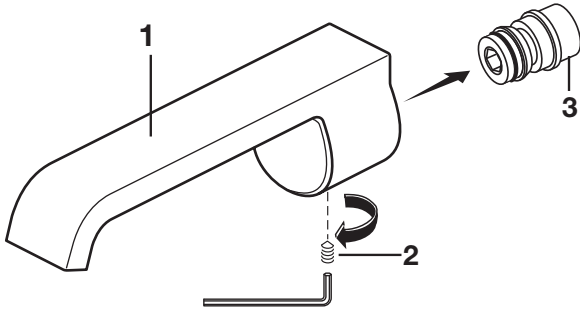
DXV by American Standard  
Via Morelos 330  
Col. Santa Clara Coatitla  
Ecatepec, Estado de México 55540

Toll Free: 01-800-8391200  
[www.DXV.mx](http://www.DXV.mx)

### 1 REMOVE SPOUT ADAPTER

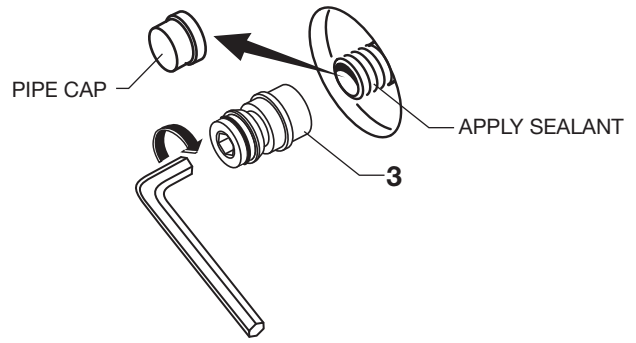
**CAUTION: Protect finish on TUB SPOUT when installing.**

- To install TUB FILLER SPOUT (1) first remove SET SCREW (2) and pull SPOUT ADAPTER (3) from back of TUB FILLER SPOUT (1).



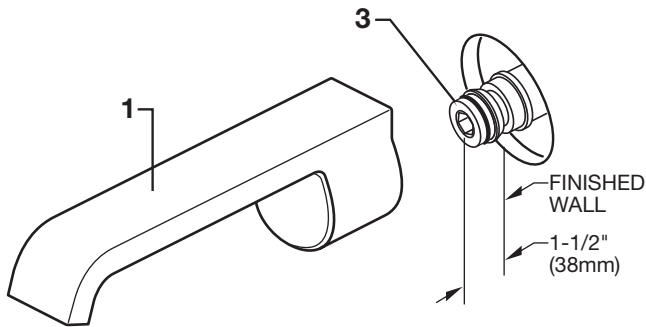
### 2 REMOVE PIPE CAP

- Remove PIPE CAP. Apply sealant to pipe nipple. With a 1/2" hex wrench thread SPOUT ADAPTER (3) onto pipe nipple.



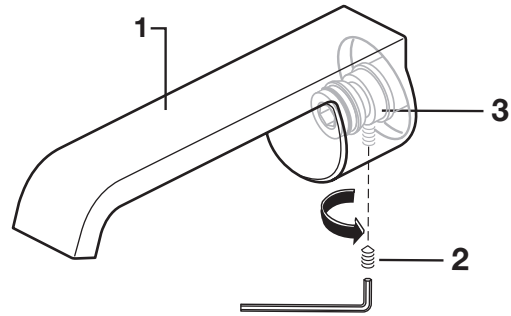
### 3 INSTALL SPOUT

- The SPOUT ADAPTER (3) should extend 1-1/2 from finished wall.
- Push TUB FILLER SPOUT (1) onto SPOUT ADAPTER (3) flush against finished wall.



### 4 SECURE SPOUT

- Align spout and tighten SET SCREW (2) to secure TUB FILLER SPOUT (1) to SPOUT ADAPTER (3).

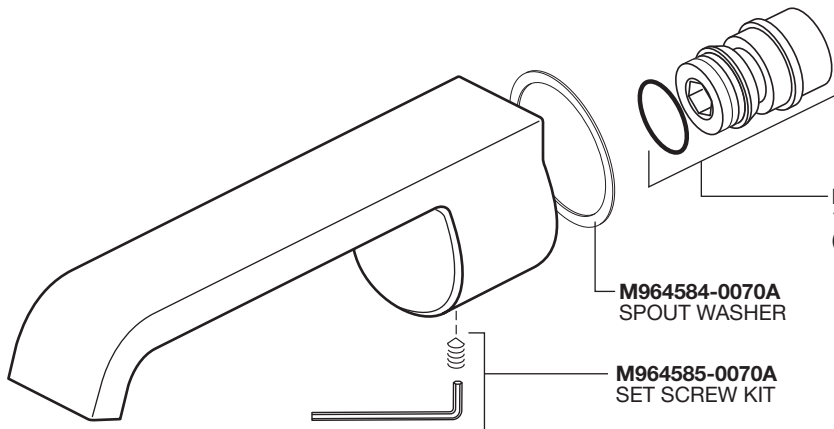


AMERICAN STANDARD

**Rem™**  
**Wall Tub Spout**

MODEL NUMBER

**D35100.760**



**M964587-0070A**  
1/2" x 3/4" SPOUT ADAPTER  
(WITH 1/2" FLUSH BUSHING)

**M964584-0070A**  
SPOUT WASHER

**M964585-0070A**  
SET SCREW KIT

Replace the "XXX" with appropriate finish code

POLISHED CHROME	100
BRUSHED NICKEL	144