

OAK HILL™

30" LAVATORY WITH CONSOLE



FEATURES

- Fine fire clay lavatory, pre-drilled for a two-hole faucet spread
- Metal console legs
- Functional side bars supported to wall
- Decorative p-trap and grid drain (sold separately)

DIMENSIONS

NOMINAL DIMENSIONS

30" x 22" x 41-1/16" (762 x 559 x 1043 mm)

BOWL INSIDE DIMENSIONS

26" (662 mm) wide
15-3/4" (400 mm) front to back
4-7/8" (124 mm) depth

COLORS/FINISHES

LAVATORY: Canvas White (415)

CONSOLE: Polished Chrome (100), Brushed Nickel (144),
Platinum Nickel (150), Satin Brass* (427)

*Available October 2015

MARBLE SHELF: White Carrera† (550)

†Available September 2015

COMPONENTS

D20155002.415 Lavatory - Two Hole

D21411030.XXX Console

D35155040.XXX Decorative Grid Drain Assembly
(required component)

D35700020.XXX Traditional Decorative P-Trap
(sold separately)

D1900600.550 Marble Shelf
(optional component)

COMPLIANCE CERTIFICATIONS

Meets or Exceeds ASME A112.19.2/CSA B45.1

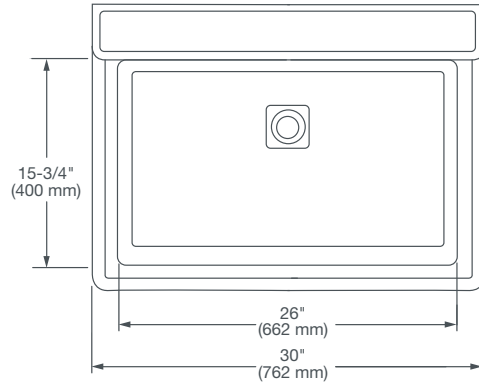


Meets the Americans with Disabilities Act Guidelines
and ANSI A117.1 Requirements for Accessible and
Usable Building Facilities-Check Local Codes.

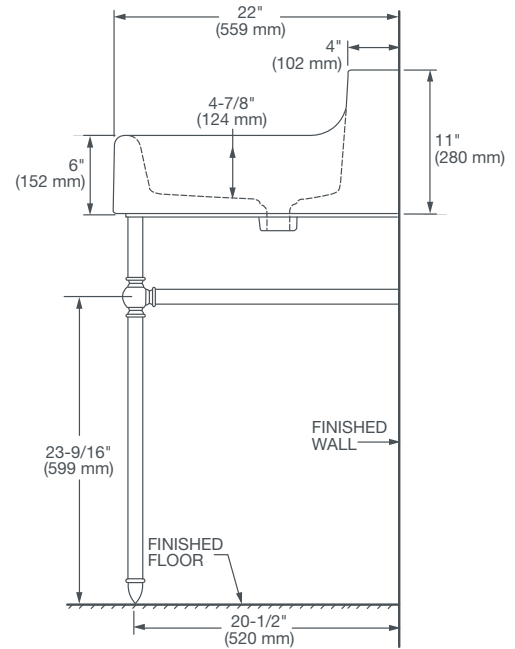
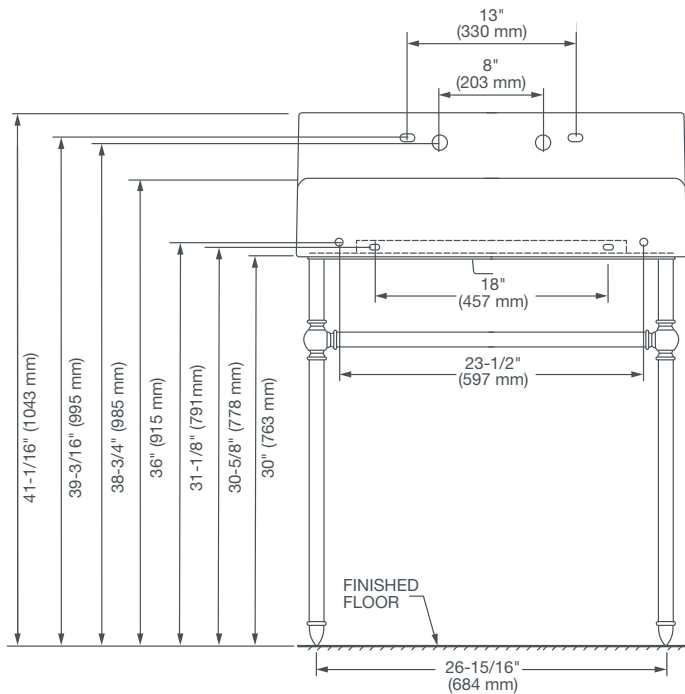
ROUGH IN DIAGRAM SHOWN
ON NEXT PAGE

OAK HILL™

30" LAVATORY WITH CONSOLE



THE OAK HILL LAVATORY CANNOT BE INSTALLED AS A WALL HUNG LAVATORY. THE LAVATORY MUST BE INSTALLED USING THE OAK HILL CONSOLE STAND.



NOTES:

Dimensions shown for location supplies and "P" trap are suggested. Provide suitable reinforcement for all wall supports. Slab/pedestal anchors and mounting features to be furnished by others. Fittings not included with fixture and must be ordered separately. Installation Instructions supplied with lavatory.

Dimensions of fixtures are nominal and may vary within the range of tolerance established by ANSI standards. These measurements are subject to change or cancellation. No responsibility is assumed for use of superseded or voided pages.