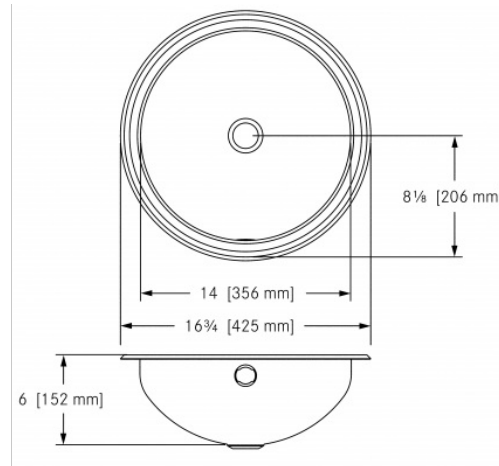


# VANITY BASIN: V17/6

V17/6 | 2000102808



Single compartment self rimming vanity basin less faucet ledge. 18 gauge (1.2 mm), type 304 (CNS 18/10) stainless steel. Mirror finished rim, #4 satin finished bowl. Undercoated to reduce condensation and resonance. Includes factory applied rim seal, cutout template, and installation hardware. Certified to ASME A112.19.3-2008 / CSAB45.4-08.

Wheelchair accessible: meets ADA (Americans with disabilities act guidelines) and ANSI A117.1 (Accessible and usable buildings and facilities). Check local codes to ensure compliance.

Center waste location, accepts 1 1/4" (32 mm) waste assembly (not included).

## TECHNICAL DATA

type of basin	vanity basin
bowl depth	6"
Bowl finish	SATIN-FINISHED
Bowl front to back	14"
Bowl left to right	14"
gross weight	4.21 kg
material	STAINLESS-STEEL
material code	1.4301 Chrome Nickel steel V2A
material thickness grade	18 gauge (1.2 mm)
Overall front to back	16 3/4"
Overall left to right	16 3/4"
overflow	no
Faucet ledge	No
type of waste kit	optional grid strainer
undercoated	yes
waste hole position	centre
waste size	DN 32
net weight	3.51 kg

## PROJECT INFORMATION

Item Location \_\_\_\_\_

Project Number \_\_\_\_\_

Quote Number \_\_\_\_\_

Notes \_\_\_\_\_

Engineer's Approval