

**AXOR Montreux**  
**2-Handle Faucet 160 with Pop-Up Drain, 1.2 GPM**  
 Finish: **Chrome** Part no. : **16505001**



### Features

- handle design: cross handle
- swivel range 150°
- Spray pattern: Laminar spray
- Maximum flow rate: 1.2 GPM
- 90-degree ceramic valves
- Pop-Up Drain

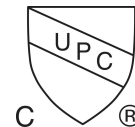
### Item details

List Price \$ 899.00

### Technology



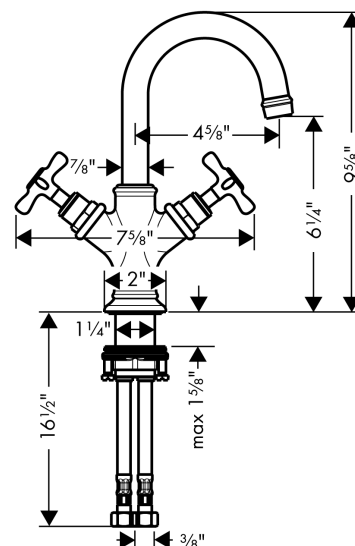
### Compliance / Sustainability



### Product image



### Scale drawing

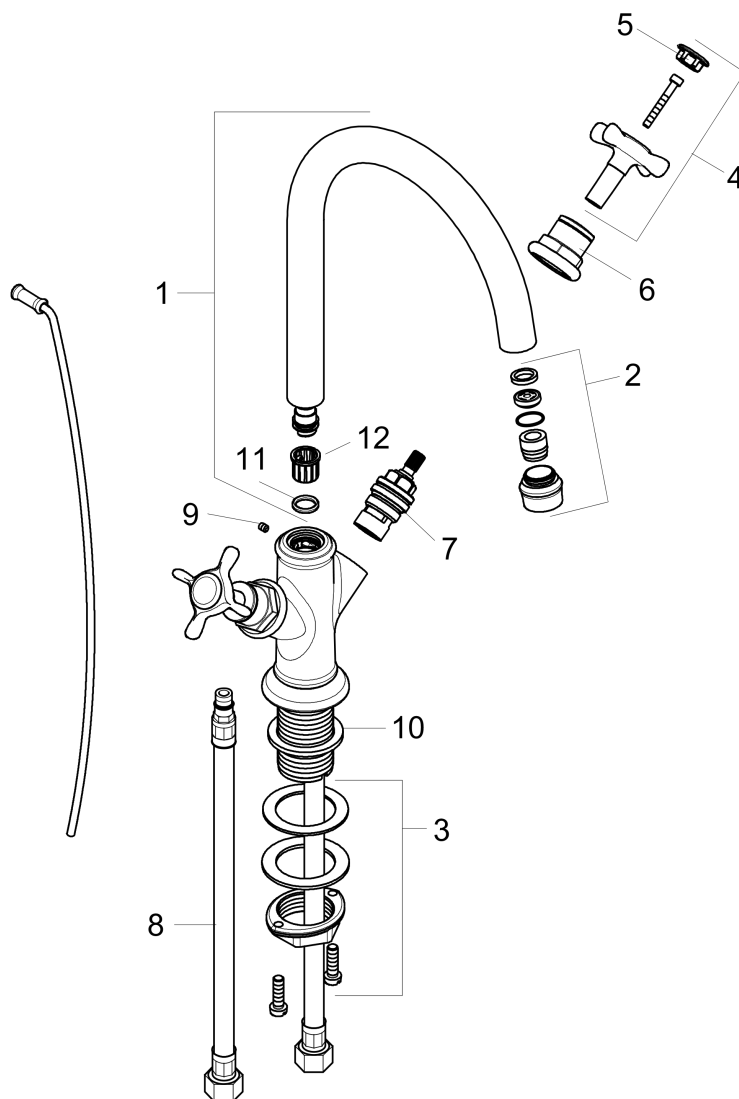


**AXOR Montreux**  
**2-Handle Faucet 160 with Pop-Up Drain, 1.2 GPM**  
Finish: **Chrome** Part no. : **16505001**



## Exploded drawing

Year of production: >07/16



**AXOR Montreux**  
**2-Handle Faucet 160 with Pop-Up Drain, 1.2 GPM**  
 Finish: **Chrome** Part no. : **16505001**



## Spare parts list

Year of production: >07/16

Pos.		Part no.	Price	PU
1	spout cpl.	97992000	-	1
2	aerator M18x1 (4,5 l/min)	93062000	-	1
3	fixing set (Ø 32)	13961000	-	1
4	handle	16291000	-	1
5	set of screw covers, cold / hot water / neutral	97987000	-	1
6	sleeve	97993000	-	1
7	shut off unit right closing	94009000	-	1
8	connection hose 18½" M8x0,75 3/8"	96321001	-	1
9	hollow set screw M4x5	98731000	-	1
10	flat seal	98749000	-	1
11	O-ring 11x2	98127000	-	1
12	lever collar	92849000	-	1
a	pull rod	98730000	-	1
b	pop up waste	88509000	-	1