

Talis

Single-Hole Faucet 80 with Pop-Up Drain, 1.2 GPM

Finishes : **brushed nickel** Part no. : **32040821**



Description

Features

- Aerated spray
- maximum Flow rate at 44 PSI: 1.2 GPM
- Ceramic cartridge
- pop-up waste set G 1
- Material waste set: metal

Item details

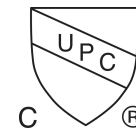
List Price

\$ 396.00

Technology



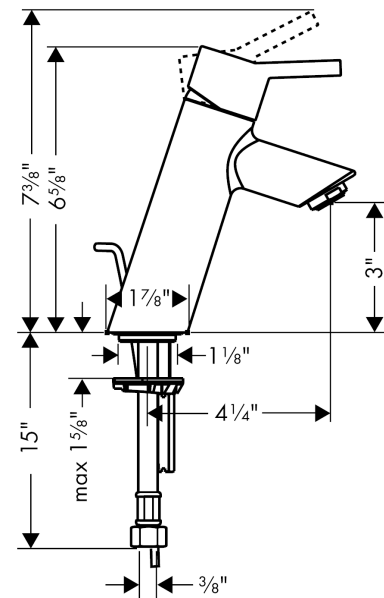
Compliance



Product image



Scale drawing



Talis

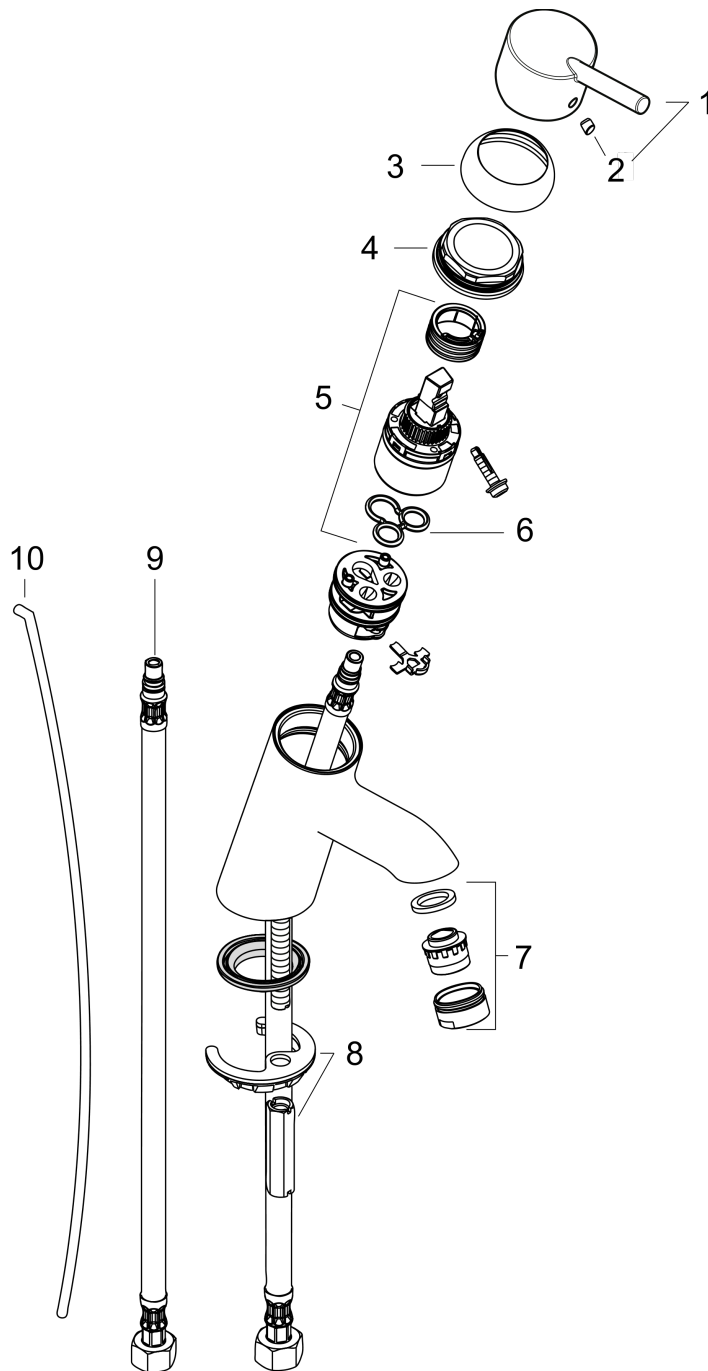
Single-Hole Faucet 80 with Pop-Up Drain, 1.2 GPM

Finishes : brushed nickel Part no. : 32040821



Exploded drawing

Year of production: >07/16



Talis

Single-Hole Faucet 80 with Pop-Up Drain, 1.2 GPM

Finishes : **brushed nickel** Part no. : **32040821**



Spare parts list

Year of production: >07/16

Pos.	Description	Part no.	Price	PU
1	handle	32096820	-	1
2	screw cover	96338000	-	1
3	flange	97406820	-	1
4	nut	97209000	-	1
5	cartridge, assy	95646001	-	1
6	seal	95008000	-	1
7	aerator M24x1 (4,5 l/min)	92877820	-	-
8	fixing set	96016000	-	1
9	pull rod	96657820	-	1
10	connection hose 18½" M8x0,75 3/8"	96321001	-	1
a	pop up waste	88509820	-	1