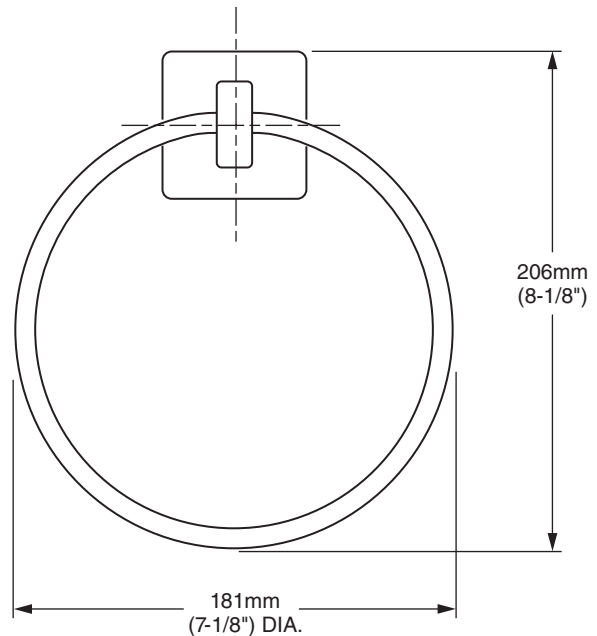
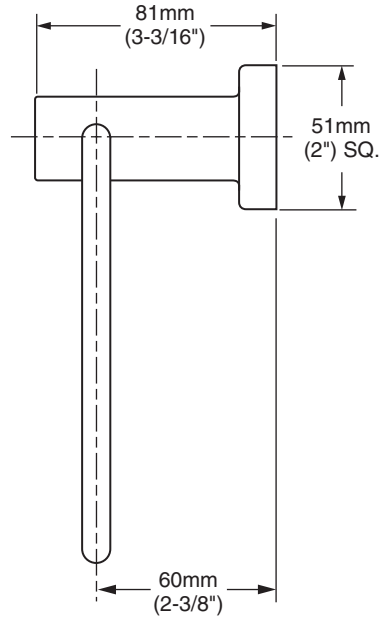


**MODEL NUMBER:**

■ 8335190 - Towel Ring

**Available Finishes**

.002	Polished Chrome
.295	Satin Nickel (PVD)



**PRODUCT FEATURES:**

**Materials of Construction:**

- Metal construction for durability and long life.
- Bushing on towel ring to prevent scratching and squeaking.

**Concealed Mounting:** No exposed set screws.

**Easy to Install**

**Durability of Finishes:** Chrome and PVD finishes will never tarnish.

**SUGGESTED SPECIFICATION:**

Towel Ring shall feature metal construction with tarnish - free PVD finish. Shall feature concealed mounting with no exposed set screws. Towel Ring shall have bushing to prevent scratching and squeaking. Towel Ring shall be American Standard Model # 8335190.\_\_\_\_.