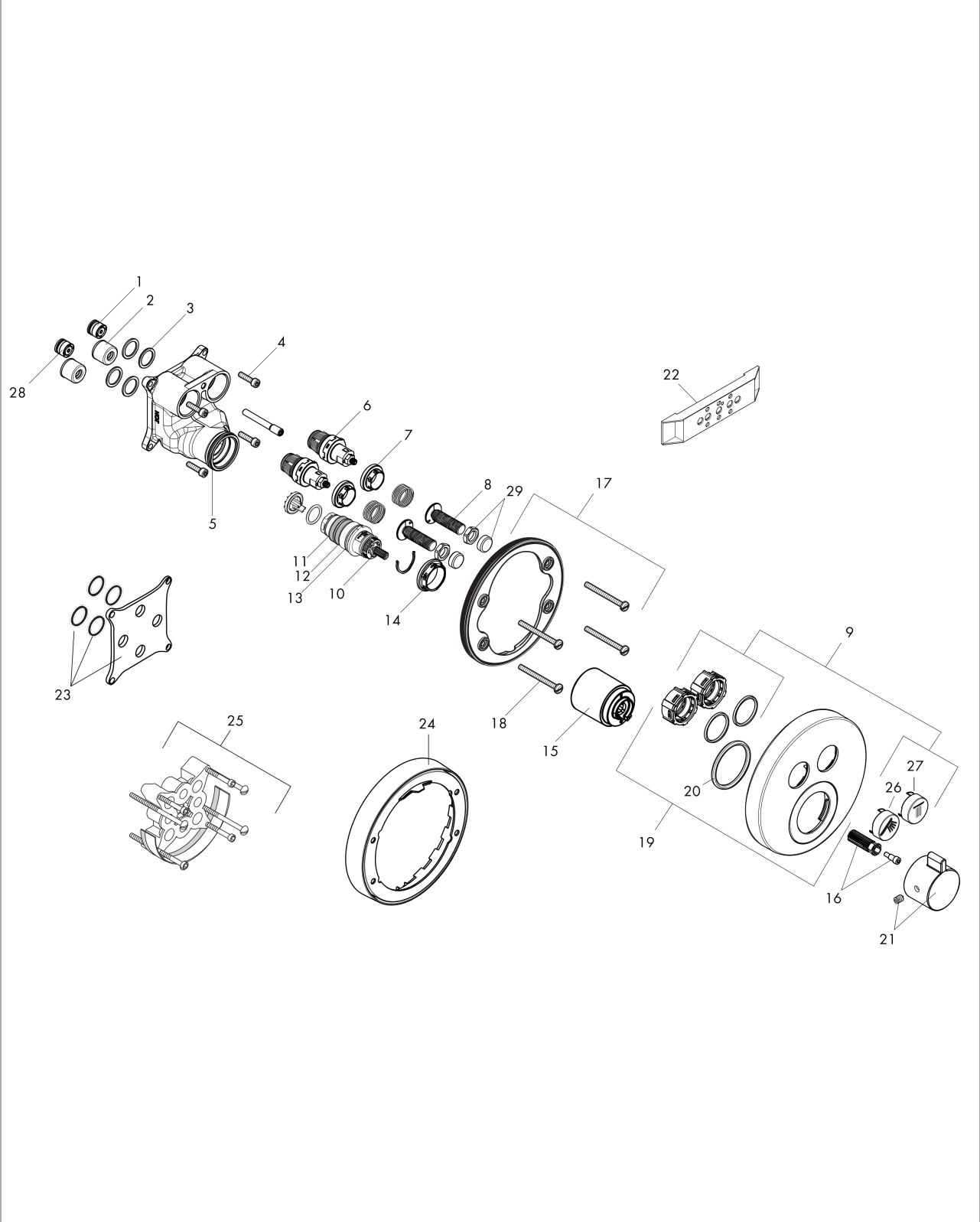


ShowerSelect S
Thermostatic Trim for 2 Functions, Round
Finishes : chrome Part no. : 15743001



Exploded drawing

Year of production: >12/14



ShowerSelect S
Thermostatic Trim for 2 Functions, Round
 Finishes : **chrome** Part no. : **15743001**



Spare parts list

Year of production: >12/14

Pos.	Description	Part no.	PC	PU
1	non return valve	97980000	0	1
2	noise reduction	94073000	0	1
3	O-ring 16x2	98133000	0	1
4	set of screws	96525000	0	1
5	O-ring 36x2	98156000	0	1
6	shut off unit	95758000	0	1
7	nut	98368000	0	1
8	Select-adapter	92219000	0	1
9	set of symbols	92218000	0	1
10	thermostat cartridge	98282000	0	1
11	O-ring 20x1,5	98197000	0	1
12	O-ring 25x1,5	98146000	0	1
13	O-ring 25x2,5	92146000	0	1
14	nut	98913000	0	1
15	sleeve	92216000	0	1
16	handle fixing set	95843000	0	1
17	holder for escutcheon	98793000	0	1
18	set of fixing screws	96454000	0	1
19	escutcheon Ø 150 mm	92325001	0	1
20	O-ring 44x4	98471000	0	1
21	handle for thermostat	92215001	0	1
22	fit-up aid	92540000	0	1
23	compensation set 1°	95521000	0	1
24	extension 22 mm (Ø 150 mm)	13597000	0	1
25	extension 25 mm	13595000	0	1
26	symbol handshower	93573880	0	1
27	symbol head shower Rain small	93572880	0	1
28	non return valve (pressure-resistant up to 2 MPa)	92594000	0	1
29	nut and flange	92696000	0	1
a	Grease	90920000	0	1
b	symbol head shower Rain large	93571880	0	1
c	symbol Flood jet	93574880	0	1
d	symbol Whirl	93575880	0	1
e	symbol Mono	93576880	0	1
f	symbol tub	93577880	0	1
g	symbol body shower	93578880	0	1
h	symbol ON/OFF	93579880	0	1
i	pushbutton	93955880	0	1