

Croma 100
Handshower E Vario-Jet, 2.0 GPM
 Finishes : **chrome** Part no. : **04332000**



Description

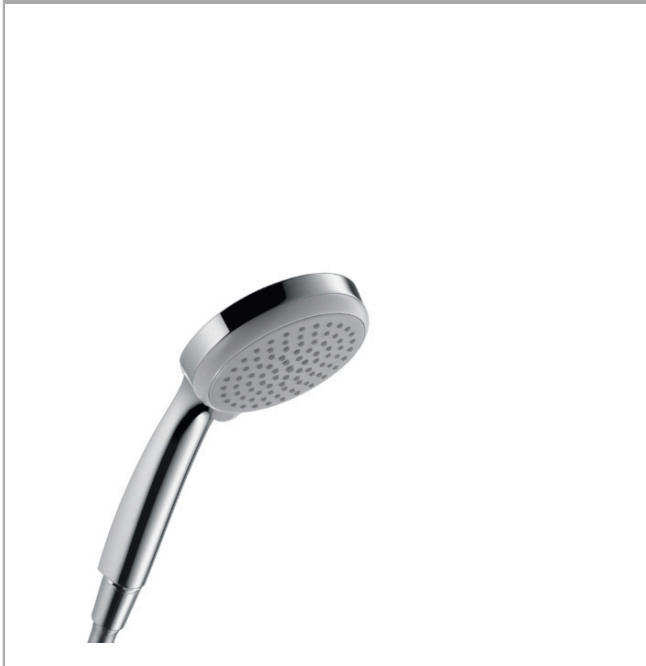
Features

- Spray modes: Vario-Jet (spray zones of variable intensity)
- 85 no-clog spray channels
- Flow: 2.0 GPM (7.6 L/Min)

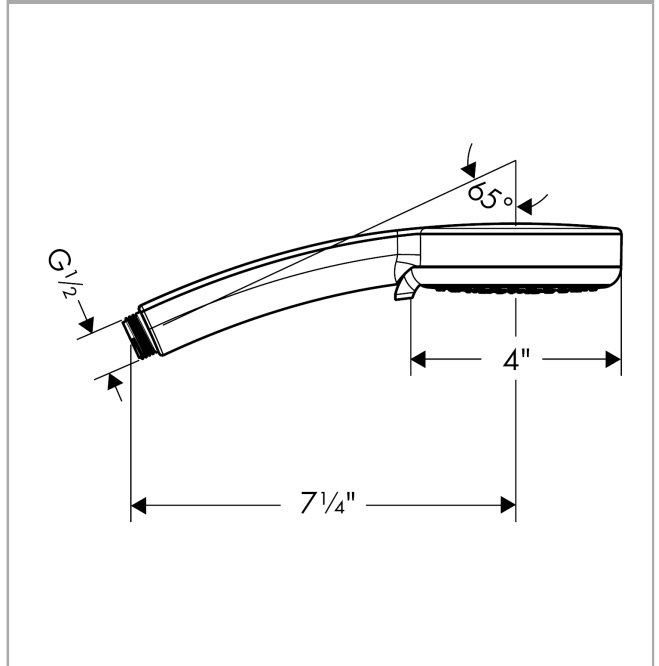
Technology



Product image



Scale drawing

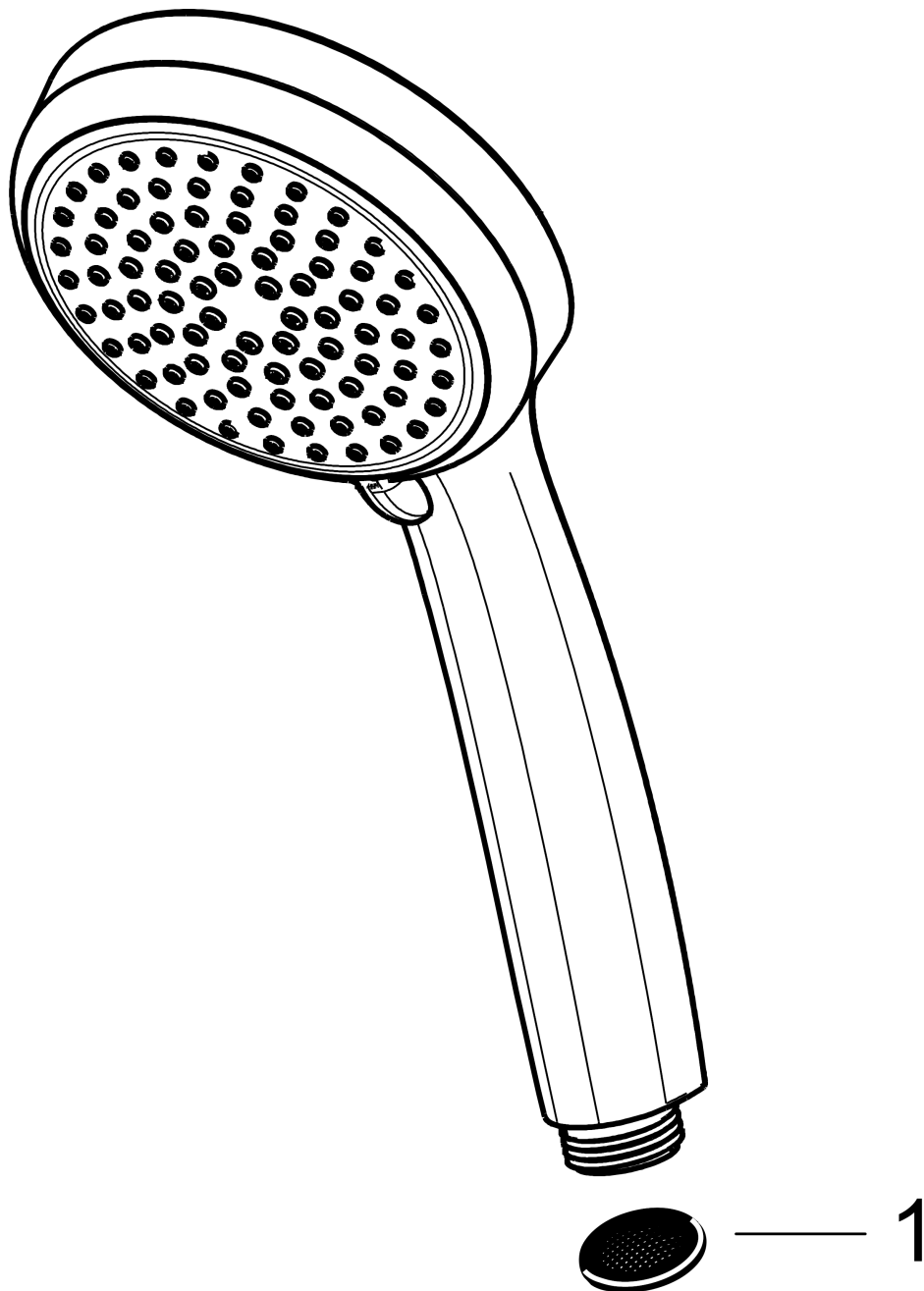


Croma 100
Handshower E Vario-Jet, 2.0 GPM
Finishes : **chrome** Part no. : **04332000**



Exploded drawing

Year of production: >06/10



Croma 100
Handshower E Vario-Jet, 2.0 GPM
 Finishes : **chrome** Part no. : **04332000**



Spare parts list

Year of production: >06/10

Pos.	Description	Part no.	PC	PU
1	filter packing	94246000	0	1