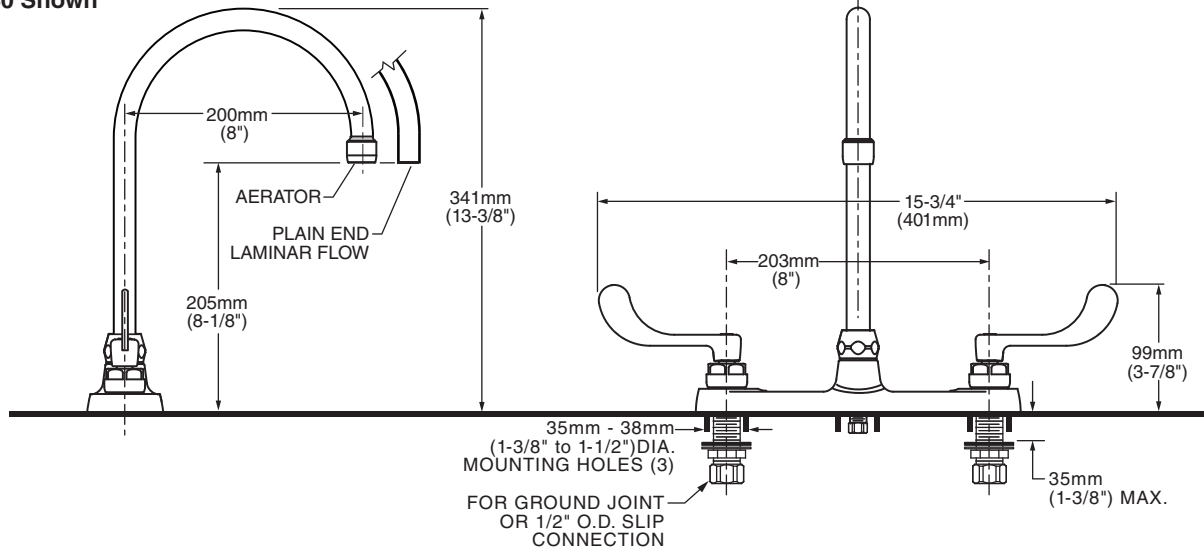


6409180 Shown



MODEL NUMBER:

- 6409170 Top Mount Faucet with 8" (203mm) Gooseneck Spout**
 Field-convertible rigid / swivel gooseneck spout. Vandal-resistant metal wrist blade handles with red/blue indexes. 1.25 gpm (5.7 Lpm) pressure compensating aerator.
- 6409180 Top Mount Faucet with 8" (203mm) Gooseneck Spout & Laminar Flow in Spout Base**
 Field-convertible rigid / swivel gooseneck spout. Vandal-resistant metal wrist blade handles with red/blue indexes. 1.25 gpm (5.7 Lpm) pressure compensating laminar flow restrictor in the base of the spout. Plain spout end.

GENERAL DESCRIPTION:

Durable cast brass construction. Field-convertible rigid-swivel gooseneck spout (8" (203mm) reach, 13-3/8" (340mm) overall height, 8-1/8" (206mm) height to outlet). 1/4 turn ceramic disc valve cartridges. 1/2" male threaded inlet shanks with brass shank nuts and coupling nuts. Vandal-resistant wrist blade handles with blue & red colour indexes. 1.25 gpm (5.7 Lpm) maximum flow rate.

PRODUCT FEATURES:

Laminar Flow in Spout Base (6409180 only):

Eliminates the mix of air & water.

Plain Spout End (6409.180 only): Nothing on the end of the spout to collect lime & debris.

Ceramic Disc Valve Cartridges: Assure a lifetime of drip-free performance.

Pressure Compensating Aerator: Provides a constant water flow of 1.25 gpm (5.7 Lpm) throughout the pressure range.

Field-Convertible Rigid / Swivel Gooseneck Spout: 8" (203mm) reach, 13-3/8" (340mm) overall height, 8-1/8" (206mm) height to outlet.

Solid Brass Construction: Durable. Excellent in high use applications. Ideal for prolonged contact with water.

Lead Free: Faucet contains ≤ 0.25% total lead content by weighted average.

5 Year Warranty: 5 year limited warranty for commercial installations.

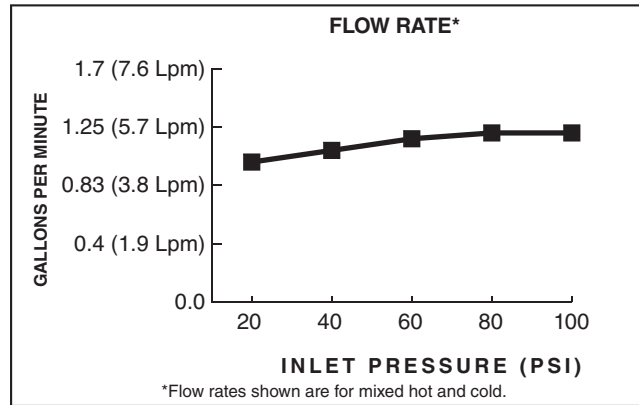
SUGGESTED SPECIFICATION:

Two handle top-mount kitchen faucet shall feature cast brass construction with all brass coupling nuts. Shall feature brass, field-convertible gooseneck spout with 8" (203mm) reach. Shall also feature 1/4 turn washerless ceramic disc valve cartridges. Faucet shall be American Standard Model #64091_0.002.

CODES AND STANDARDS

These products meet or exceed the following codes and standards:

- ASME A112.18.1
- CSA B 125
- IAPMO (cUPC)
- NSF 61/Section 9, Annex G



Product Number	Description	Finish
		Polished Chrome
		002
6409170	Top mount faucet with field-convertible 8" (203mm) rigid / swivel spout. VR wrist blade handles. 1.25 gpm (5.7 Lpm) pressure compensating aerator.	
6409180	Top mount faucet with field-convertible 8" (203mm) rigid / swivel spout. VR wrist blade handles. 1.25 gpm (5.7 Lpm) pressure compensating laminar flow device in the base of the spout. Plain spout end.	



Other Aerators Available:

Part Suffix	Description
LV15	1.25 gpm (5.7 Lpm) Vandal-Resistant PCA Non-Aerated Laminar Flow Outlet
L15	1.25 gpm (5.7 Lpm) PCA Non-Aerated Laminar Flow Outlet
V15	1.25 gpm (5.7 Lpm) Vandal-Resistant PCA Aerator
LV10	0.83 gpm (3.8 Lpm) Vandal-Resistant PCA Non-Aerated Laminar Flow Outlet
L10	0.83 gpm (3.8 Lpm) PCA Non-Aerated Laminar Flow Outlet
V10	0.83 gpm (3.8 Lpm) Vandal-Resistant PCA Aerator
V05	0.4 gpm (1.9 Lpm) Vandal-Resistant PCA Non-Aerated Spray
V035	0.29 gpm (1.3 Lpm) Vandal-Resistant PCA Non-Aerated Spray

*PCA - Pressure Compensating