

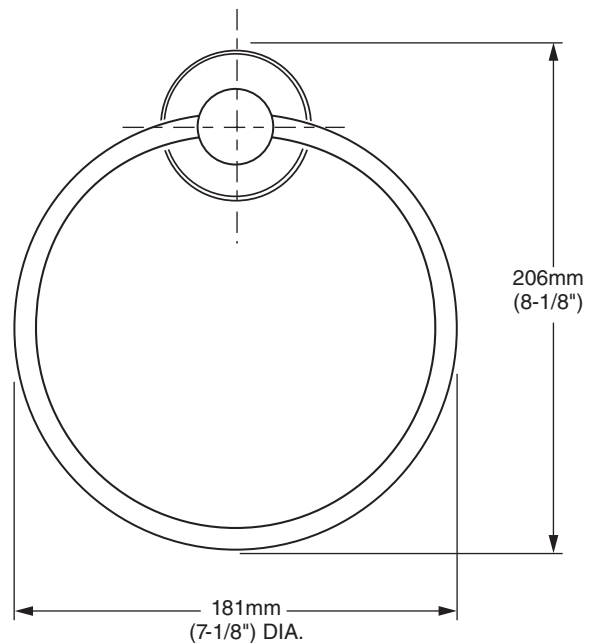
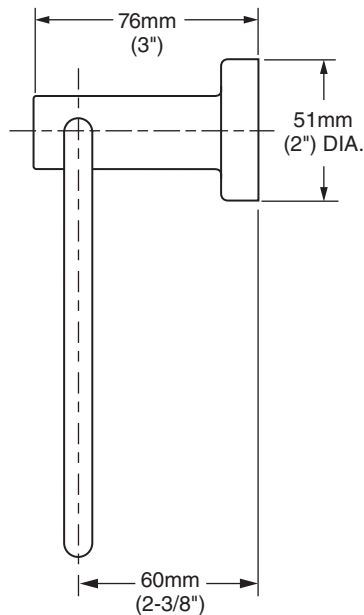


MODEL NUMBER:

■ 8336190 - Towel Ring

Available Finishes

.002	Polished Chrome
.295	Satin Nickel (PVD)



PRODUCT FEATURES:

Materials of Construction:

- Metal construction for durability and long life.
- Bushing on towel ring to prevent scratching and squeaking.

Concealed Mounting: No exposed set screws.

Easy to Install

Durability of Finishes: Chrome and PVD finishes will never tarnish.

SUGGESTED SPECIFICATION:

Towel Ring shall feature metal construction with tarnish - free PVD finish. Shall feature concealed mounting with no exposed set screws. Towel Ring shall have bushing to prevent scratching and squeaking. Towel Ring shall be American Standard Model # 8336190.____.