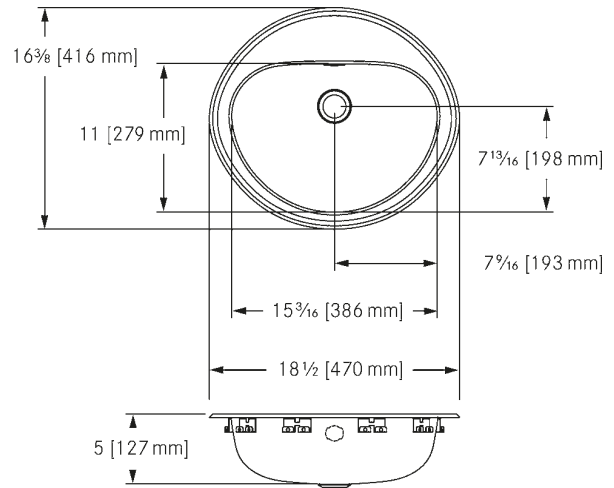


## OV1619-5-3 Vanity with ledge, overflow | 214.0493.213



Single compartment self rimming vanity basin with faucet ledge. 18 gauge (1.2 mm), type 304 (CNS 18/10) stainless steel. Mirror finished rim, #4 satin finished bowl. Undercoated to reduce condensation and resonance. Includes factory applied rim seal, cutout template, and installation hardware. Certified to ASME A112.19.3-2008 / CSA B45.4-08. Wheelchair accessible: meets ADA (Americans with disabilities act guidelines), ANSI A117.1 (Accessible and usable buildings and facilities), and CSA B651-04 (Accessible design for the built environment). Check local codes to ensure compliance. Centre back waste location, accepts 1 1/4" (32 mm) waste assembly (not included), integral overflow at back of bowl. 3 faucet holes, 1 1/8" (28 mm) diameter, 4" centreset. 16 3/8 x 18 1/2" Overall. 11 x 15 3/16 x 5" Bowl. (FB x LR x D). 416 x 470 mm Overall. 279 x 386 x 127 mm Bowl. (FB x LR x D).

### Product Dimensions

Overall front to back	16.378
Overall left to right	18.504
Bowl dimension front to back	10.984
Bowl dimension left to right	15.197
Bowl depth	5

### Installation

Installation type	Topmount
Installation system	EZ Claw

### Product specifications

Gauge	18
Wheelchair accessibility	Yes
Certification	cUPC
Type of material	Type 304
Material code	CNS 18/10
Surface finish	Mirror rim, satin bowl
Number of bowls	1
Faucet ledge position	Yes
Number of faucet holes	3
Waste location	Center back
Waste size	1 1/4" (32mm)

### Product identification

Model	OV1619-5-3
Product brand	FRANKE

Product category	Vanity basins
<b>Features</b>	
Overflow location	Yes
Waste assembly	Not included