

MEZZO™ SEMI - COUNTERTOP SINK

- Space saving design installs on a minimum countertop depth of 13"
 - Made from fire clay china
 - Rear overflow
 - Recessed self-draining deck
 - Barrier-free design
 - Self rimming with sealant
 - Cutout template and mounting kit provided (Faucet shown not included)
- 9960.803** Faucet holes on 8" (203mm) centers (illustrated)
 - 9960.908** Same as 9960.803 less overflow
 - 9960.403** Faucet holes on 4" (102mm) centers
 - 9960.904** Same as 9960.403 less overflow
 - 9960.001** Center hole only
 - 9960.901** Same as 9960.001 less overflow
 - 9960.070** Same as 9960.901 with extra hole for soap dispenser

Nominal Dimensions:

22" (559mm) wide, 21-1/2" (546mm) deep

Bowl sizes:

19" (482mm) wide
15" (381mm) front to back
6-7/8" (175mm) deep

Fixture Dimensions conform to ANSI Standard
A112.19.9M

Compliance Certifications -

Meets or Exceeds the Following Specifications:

- ASME A112.19.2/CSA B45.1



SEE REVERSE FOR ROUGHING-IN DIMENSIONS

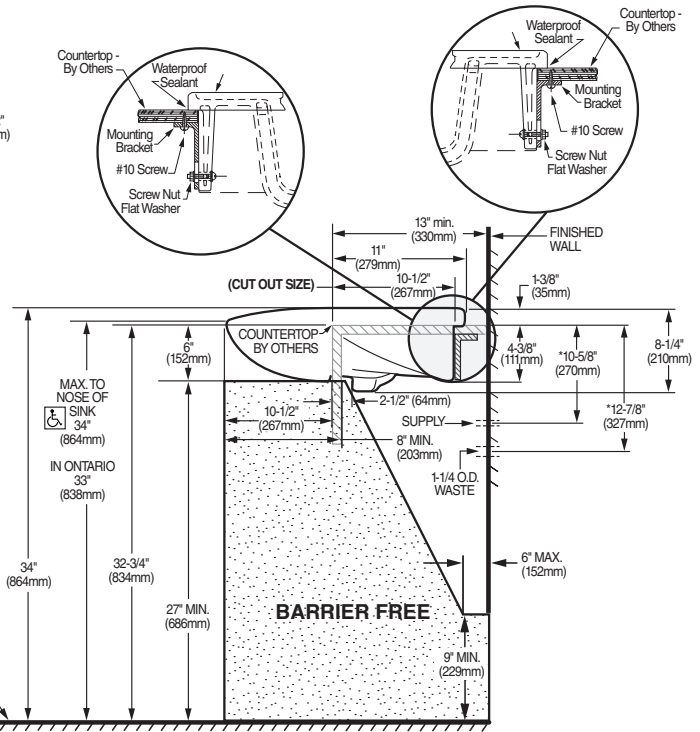
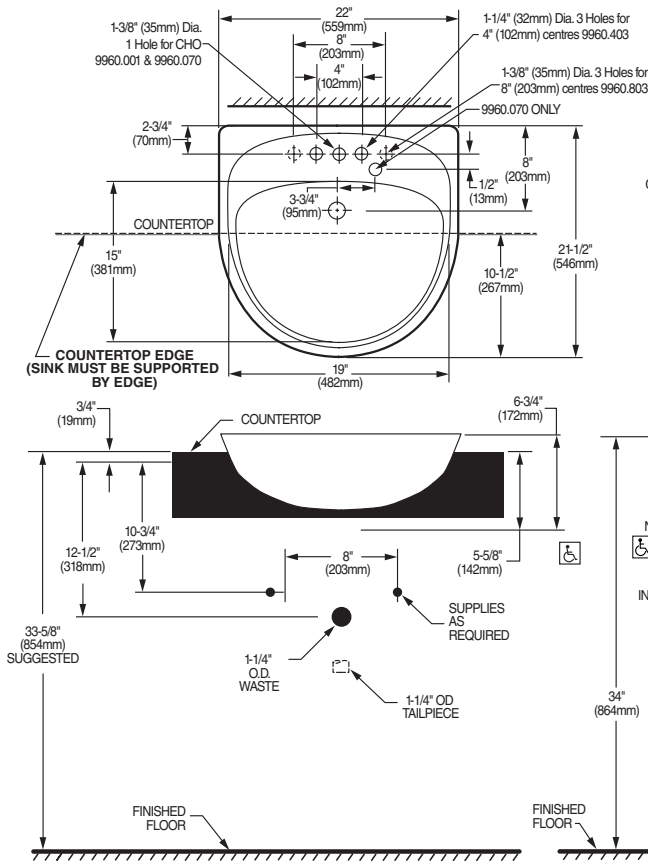
To Be Specified:

- Color: White
- Faucet*:
- Faucet Finish:
- Supplies & Stops:
- Trap 1-1/4" (32 mm):

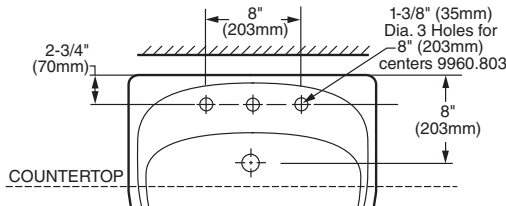
* See faucet section for additional models available



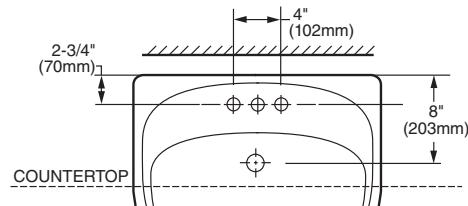
MEETS THE AMERICANS WITH DISABILITIES ACT GUIDE-
LINES AND ANSI A117.1 ACCESSIBLE AND USABLE
BUILDINGS AND FACILITIES - CHECK LOCAL CODES.
Top of front rim mounted 864mm (34") from finished floor.



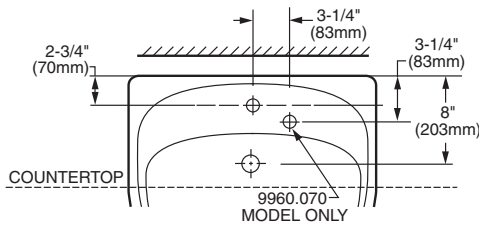
9960.803 / 9960.908



9960.403 / 9960.904



9960.001 / 9960.901 / 9960.070



HOLES	9960.803 9960.908	9960.403 9960.904	9960.001 9960.901 9960.070
SPOUT	1-3/8" DIA (35 mm)	1-1/4" DIA (32 mm)	1-3/8" DIA (35 mm)
FAUCET	1-3/8" DIA (35 mm)	1-1/4" DIA (32 mm)	
SOAP DISPENSER			1-3/8" DIA (35 mm)

NOTES:

- * DIMENSIONS SHOWN FOR LOCATION OF SUPPLIES AND "P" TRAP ARE SUGGESTED.
- FOR COUNTERTOP CUTOUT AND INSTALLATION INSTRUCTIONS USE TEMPLATE SUPPLIED WITH SINK.
- FITTINGS NOT INCLUDED AND MUST BE ORDERED SEPARATELY.
- INSTALLATION INSTRUCTIONS SUPPLIED WITH LAVATORY.

IMPORTANT: Dimensions of fixtures are nominal and may vary within the range of tolerances established by ANSI Standard A112.19.9M. These measurements are subject to change or cancellation. No responsibility is assumed for use of superseded or voided pages.



MEETS THE AMERICANS WITH DISABILITIES ACT GUIDELINES AND ANSI A117.1 ACCESSIBLE AND USABLE BUILDINGS AND FACILITIES - CHECK LOCAL CODES. Top of front rim mounted 864mm (34") from finished floor.